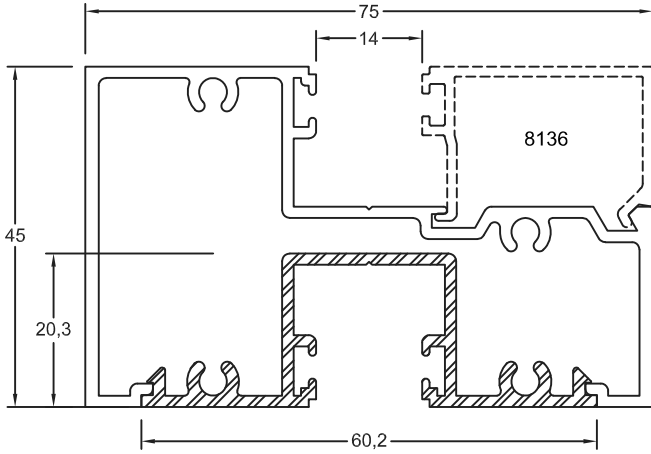
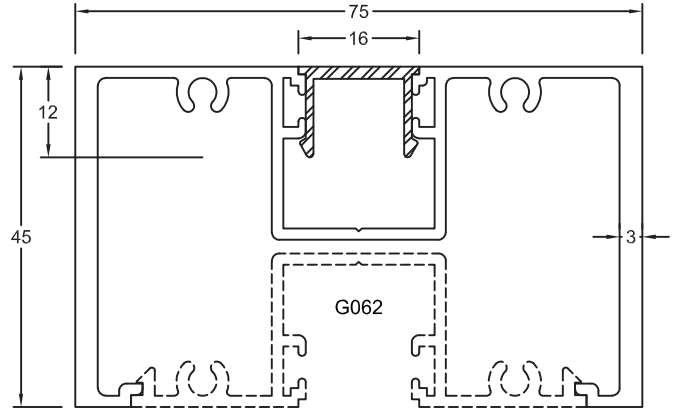


Section No.G083
Transom
0.927kg/m, per 422

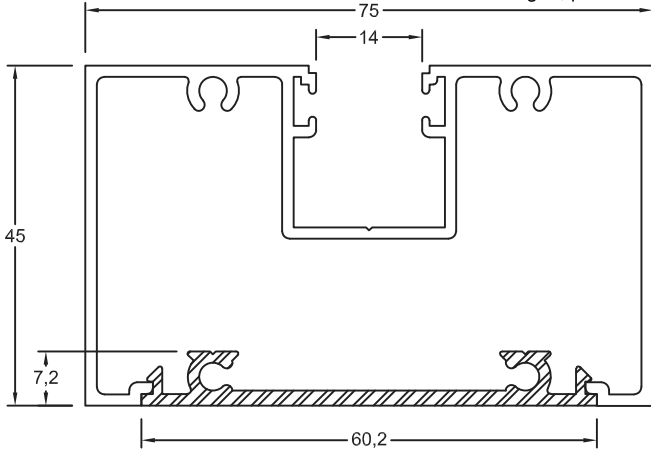


Section No.G059
Heavy Mullion
1.398kg/m, per 505

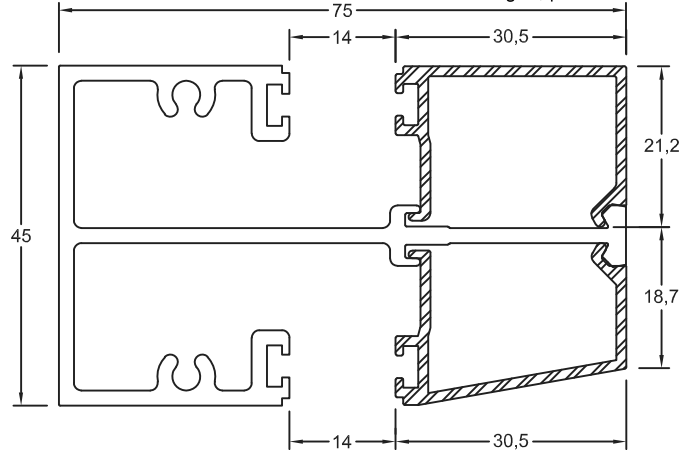


Section No.G062
75/100 Glazing Infil
0.579kg/m, per 281

Section No.G058
Mullion
1.057kg/m, per 511



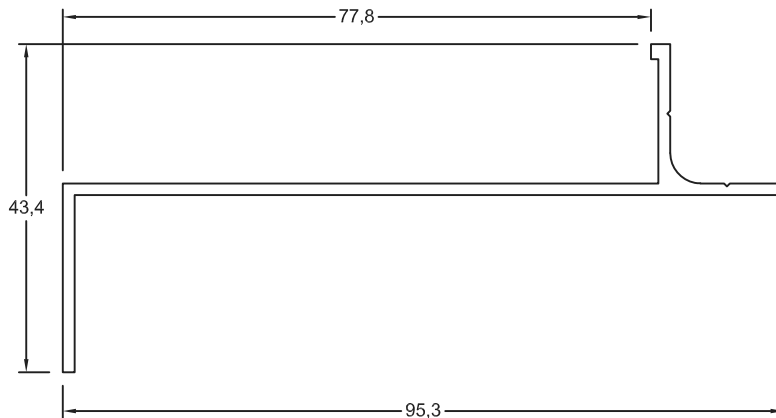
Section No.8136
75mm Square Bead
0.282kg/m, per 158



Section No.5581
Plain Infil
0.429kg/m, per 182

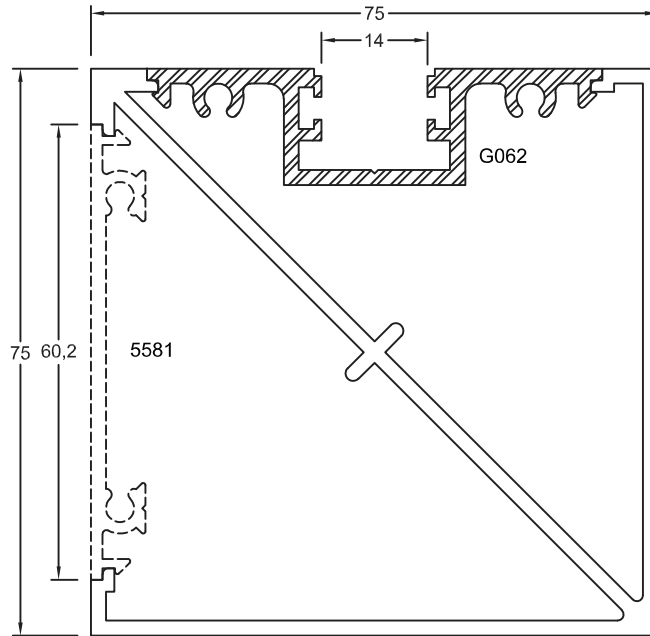
Section No.8706
Glazing Bar
1.286kg/m, per 463

Section No.7754
75mm Sloping Bead
0.267kg/m, per 150

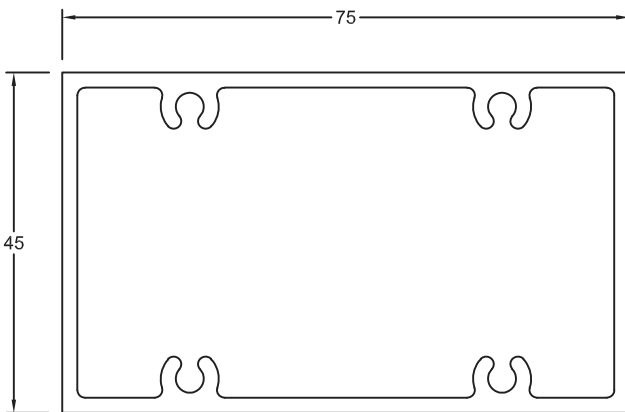


Section No.4895
Sil Tray
0.595kg/m, per 278

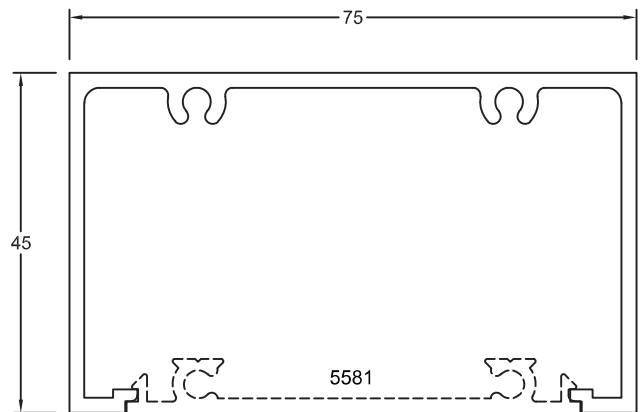
Section No.G062
75/100 Glazing Infil
0.579kg/m, per 281



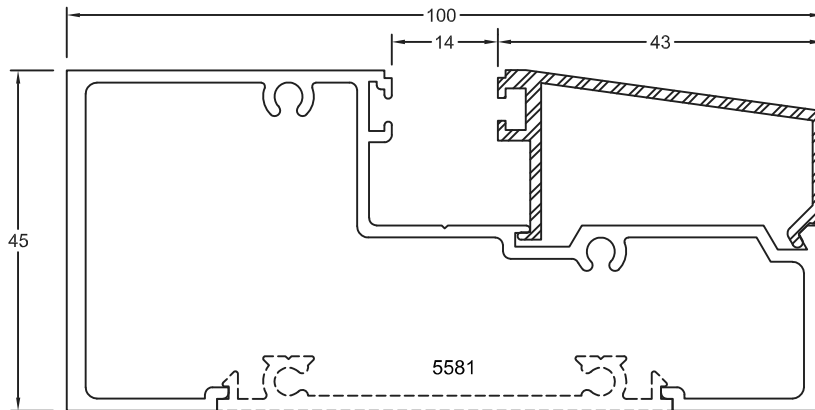
Section No.3882
Corner Post
1.568kg/m, per 565



Section No.7771
Screw Port Box
1.532kg/m, per 240

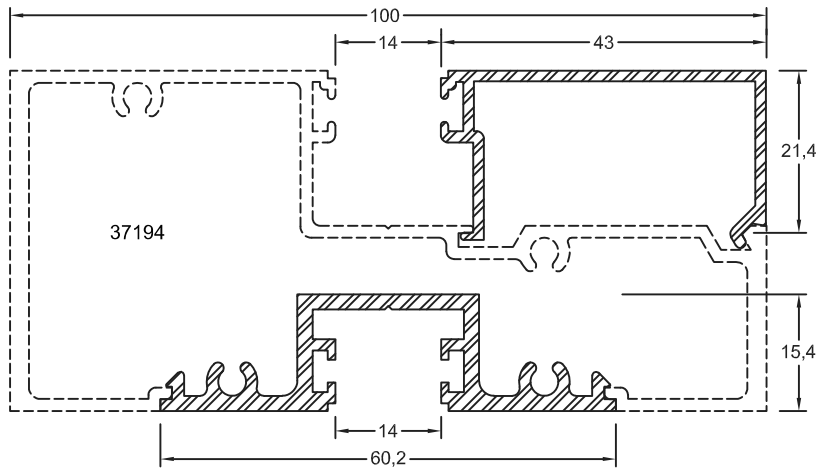


Section No.6726
Screw Port Channel
1.079kg/m, per 388



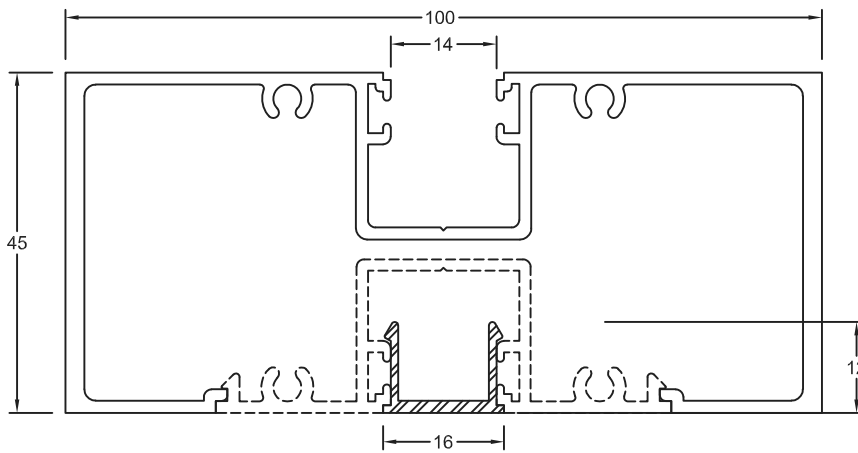
Section No.37196
Centre Glazing Sloping Bead
0.362kg/m, per 184

Section No.37194
Centre Glazing Transom
1.290kg/m, per 514
must use 9698



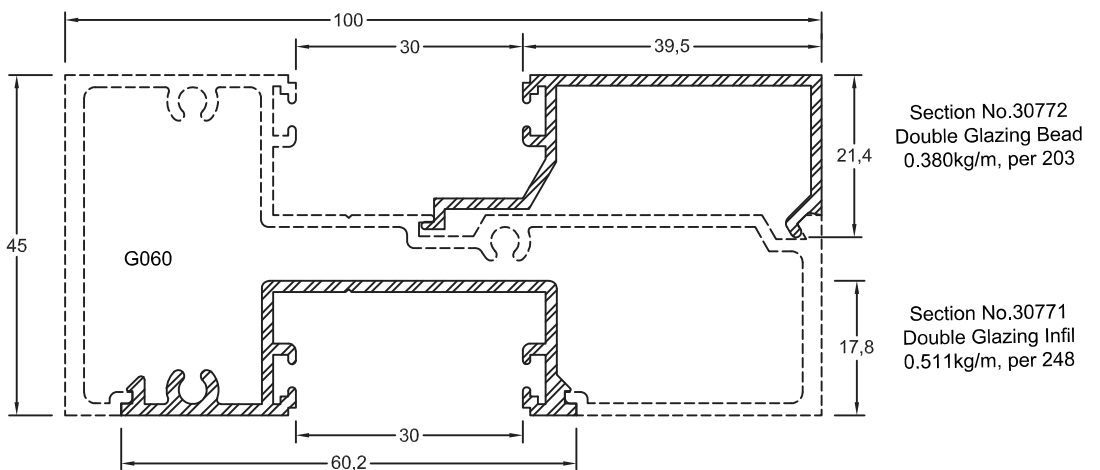
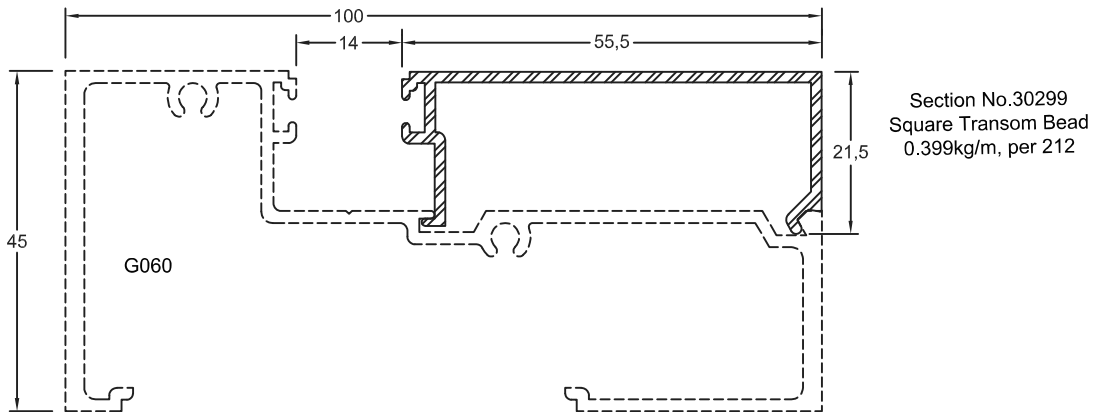
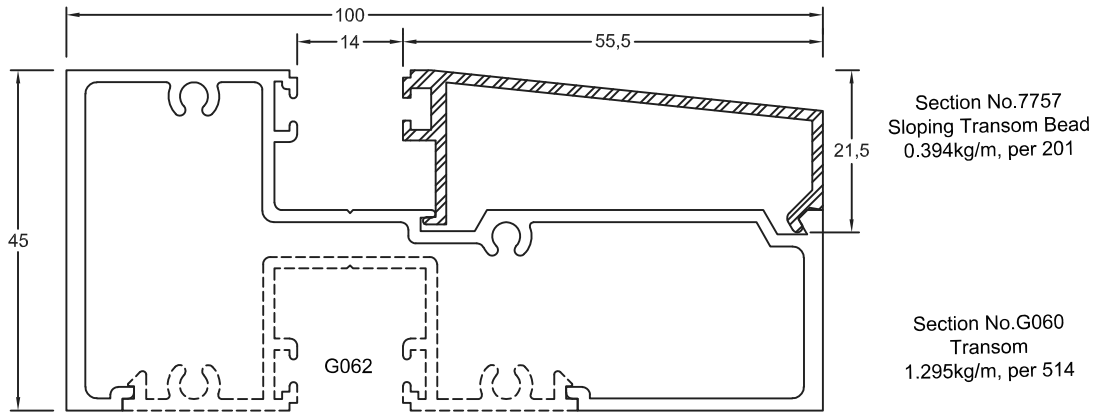
Section No.37195
Centre Glazing Square Bead
0.367kg/m, per 195

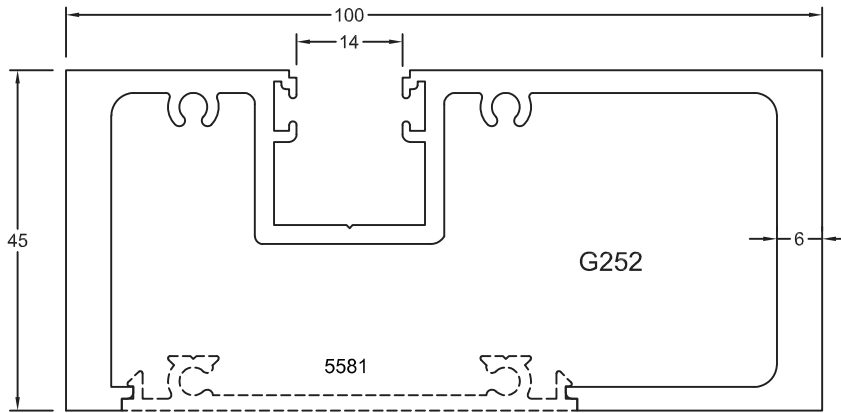
Section No.9698
Shallow Pocket Infil
0.650kg/m, per 254



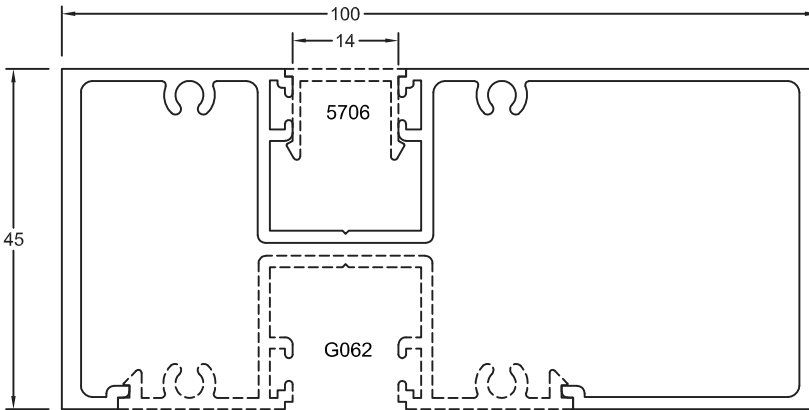
Section No.37197
Centre Glazing Mullion
1.522kg/m, per 600

Section No.5706
Pocket Flush Infil
0.126kg/m, per 77

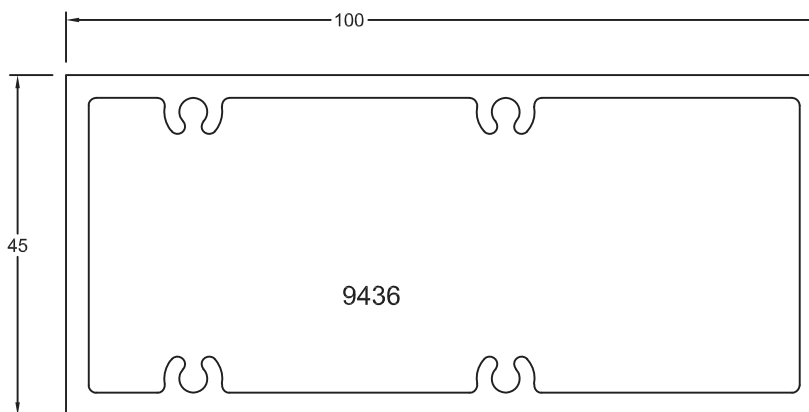




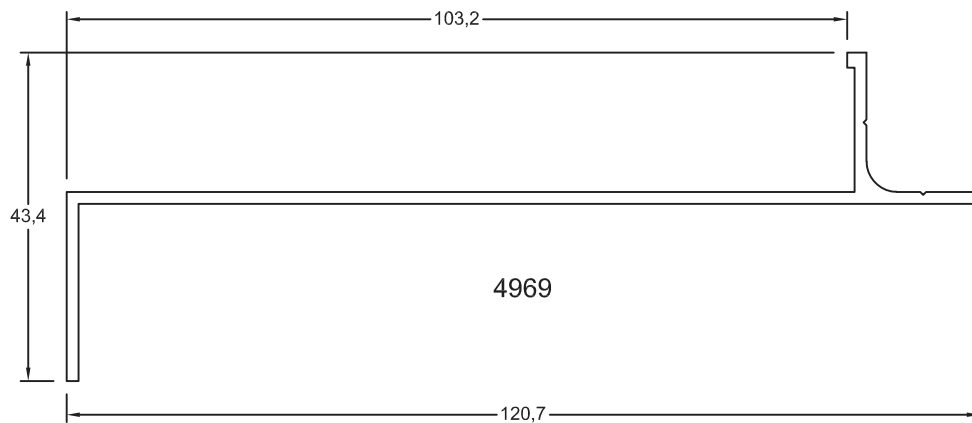
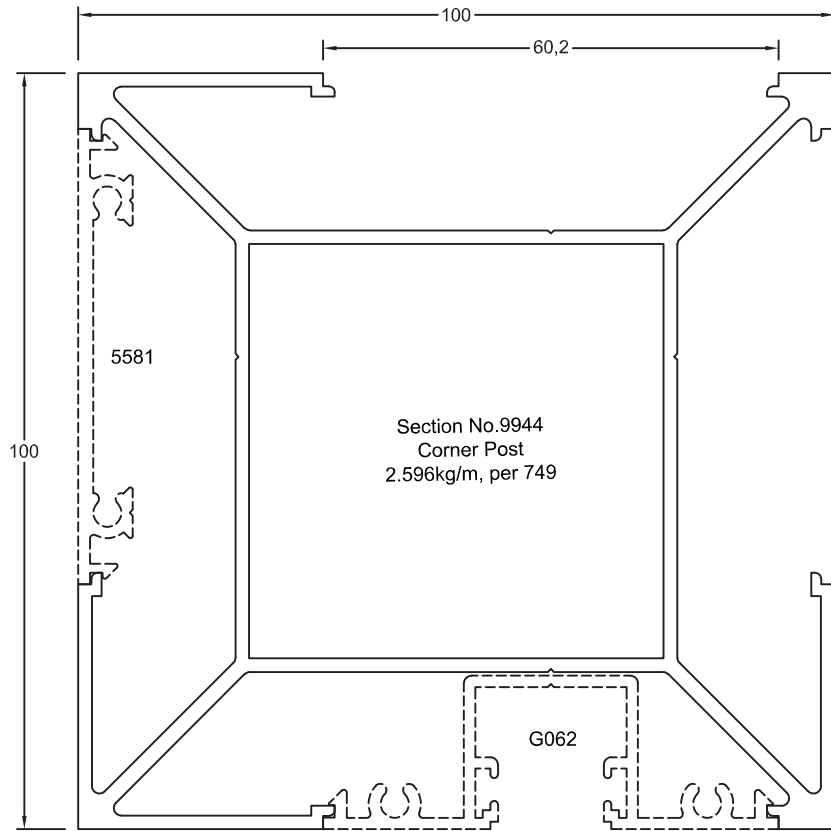
Section No.G252
Heavy Mullion
2.828kg/m, per 577



Section No.G061
Mullion
1.531kg/m, per 605



Section No.9436
Screw Port Box
2.478kg/m, per 290



Section No.4969
Sill Tray
0.703kg/m, per 329