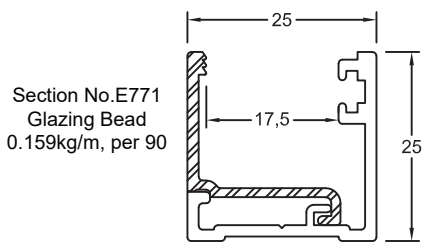
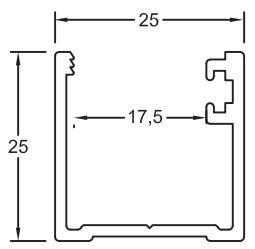




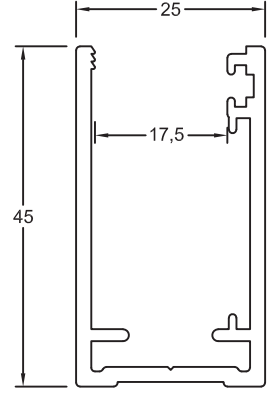
# Stocked Sections (PTN) Internal Glazing Sections



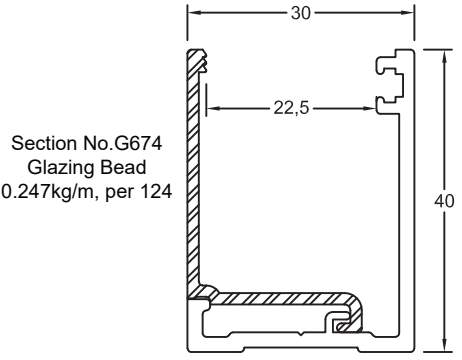
Section No. E771  
Glazing Bead  
0.159kg/m, per 90



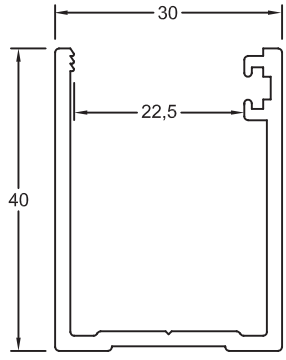
Section No. E770  
Glazing Channel  
0.387kg/m, per 167



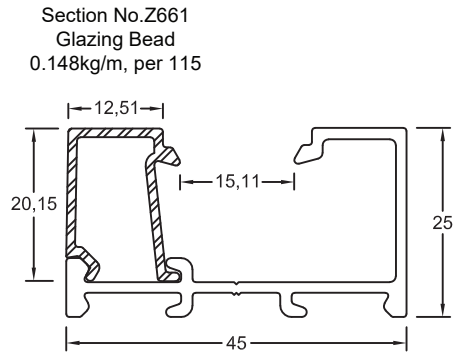
Section No. 31427  
Glazing Channel  
0.693kg/m, per 271



Section No. G674  
Glazing Bead  
0.247kg/m, per 124

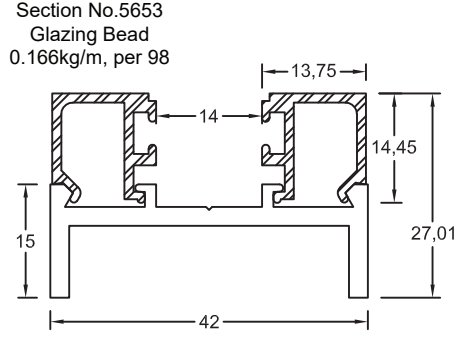


Section No. G673  
Glazing Channel  
0.613kg/m, per 235



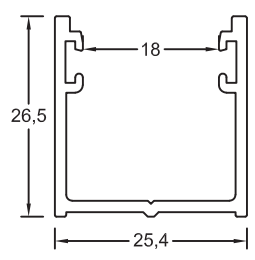
Section No. Z661  
Glazing Bead  
0.148kg/m, per 115

Section No. Z662  
Glazing Cill  
0.442kg/m, per 208

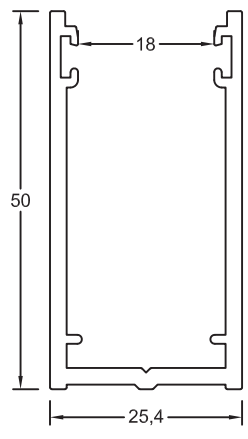


Section No. 5653  
Glazing Bead  
0.166kg/m, per 98

Section No. 5620  
Glazing Cill  
0.484kg/m, per 157



Section No. 33602  
Glazing Channel  
0.353kg/m, per 178



Section No. 33604  
Glazing Channel  
0.742kg/m, per 276