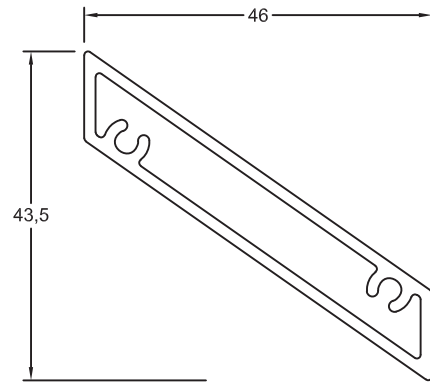
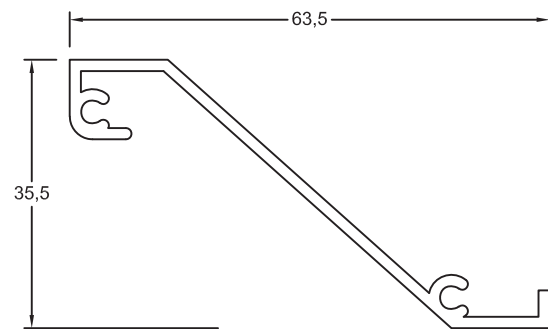


Section No. RB-440
120mm Louvre
1.180kg/m, per 249



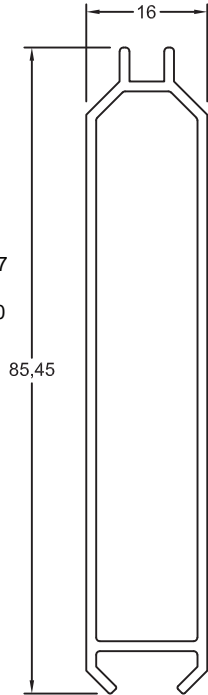
Section No. RB-452
Parallelogram Louvre
0.594kg/m, per 135



Section No. G452
63.5mm Louvre
0.438kg/m, per 211



Section No. RB-877
Interlink Plank
0.684kg/m, per 220



Section No. RB-182
Interlock Plank
0.992kg/m, per 262

