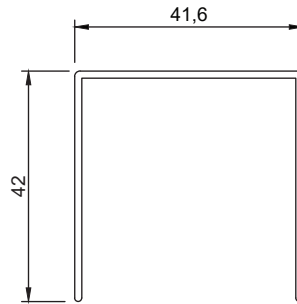
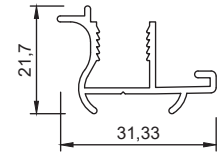


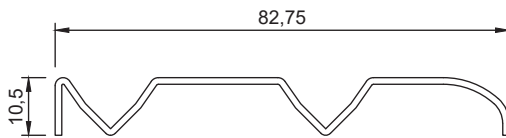
*Section No.924
0.745 kg/m, per 410



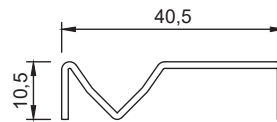
*Section No.9250
0.431 kg/m, per 247



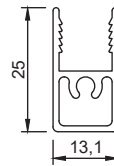
*Section No.Z447
0.282 kg/m, per 165



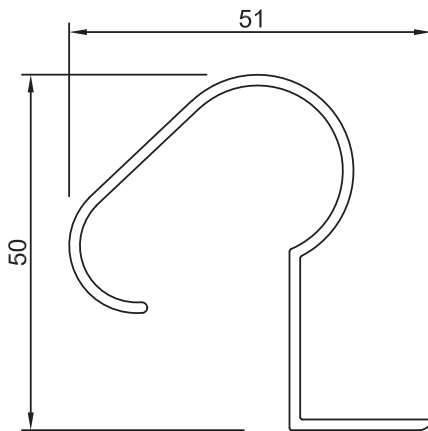
*Section No.N923
0.370 kg/m, per 230



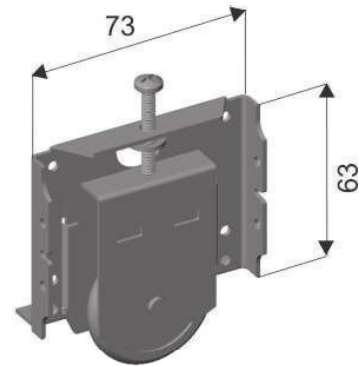
*Section No.9251
0.217 kg/m, per 136



*Section No.Z439
0.285 kg/m, per 160



*Section No.5589
Closet Rail
0.525 kg/m, per 260



Section No. DR140
Adjustable Wardrobe Carriage
Material: Zinc Seal
Standard Roller: DR35
Max Load: 25kg

Components

- WH/D02/45 - White Infil Bufer Bumper
- DS 509 Left - Right Hand Plastic Guides
- DR 140 Door Roller
- H / D08 / WSL 800 Series Double Ends Caps off white
- WR 633506 Wardrobe Bumper off white

* Stock in mill finish, powdercoated arctic white, off-white, anodised satin.