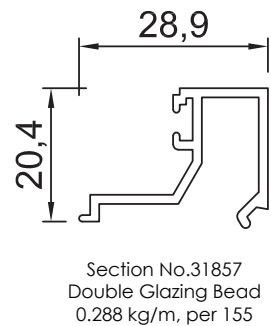
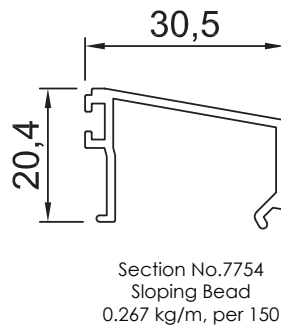
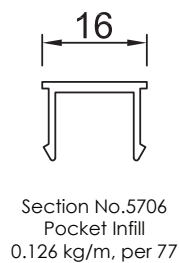
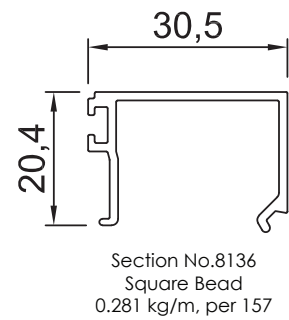
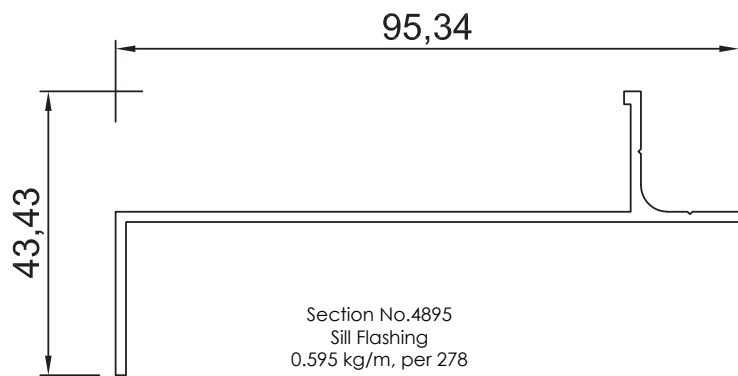
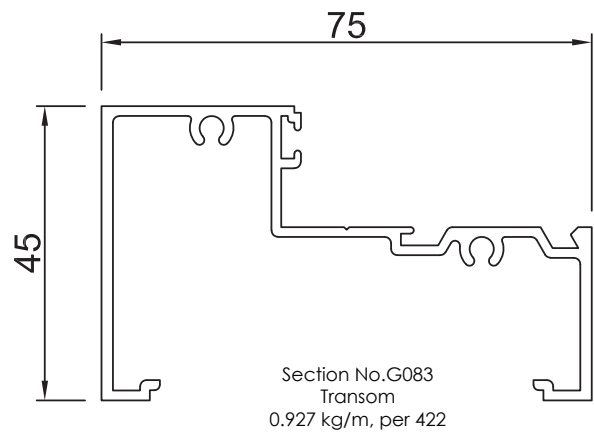
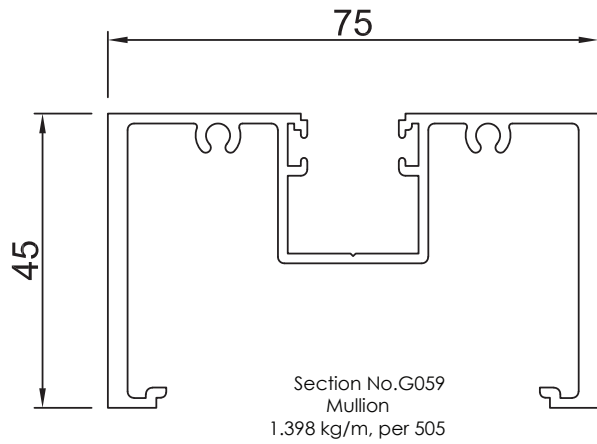
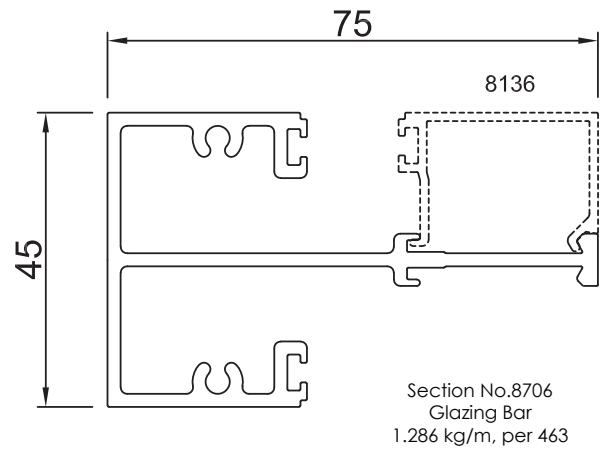
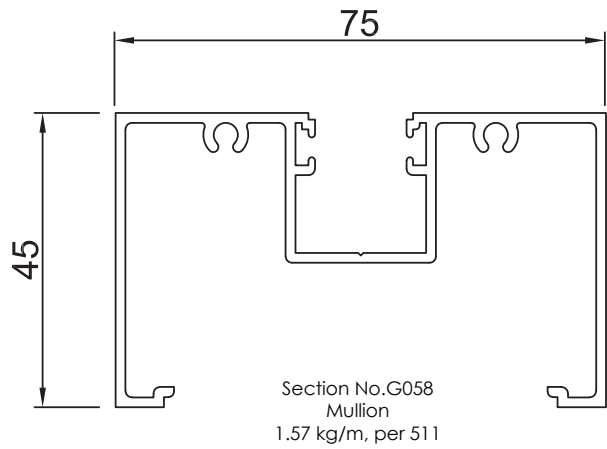


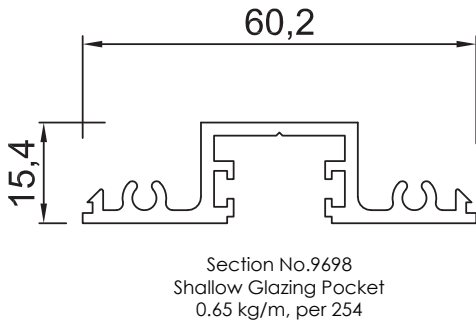
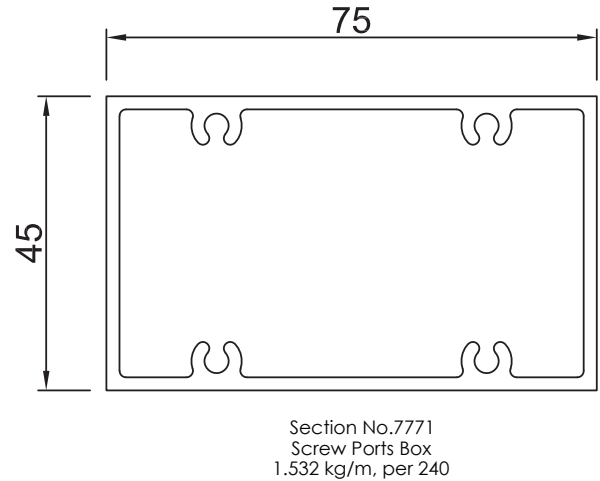
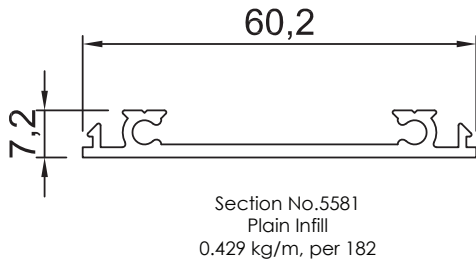
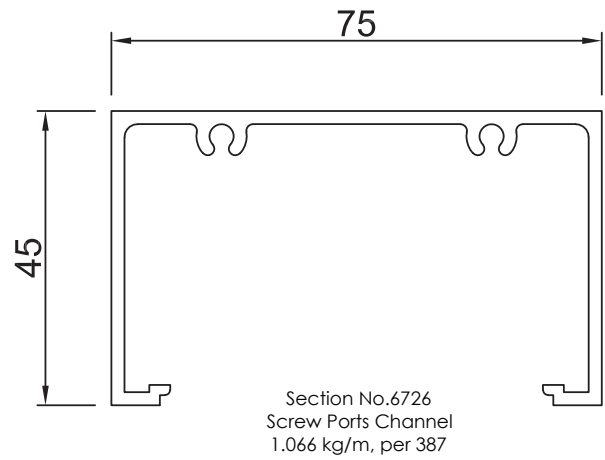
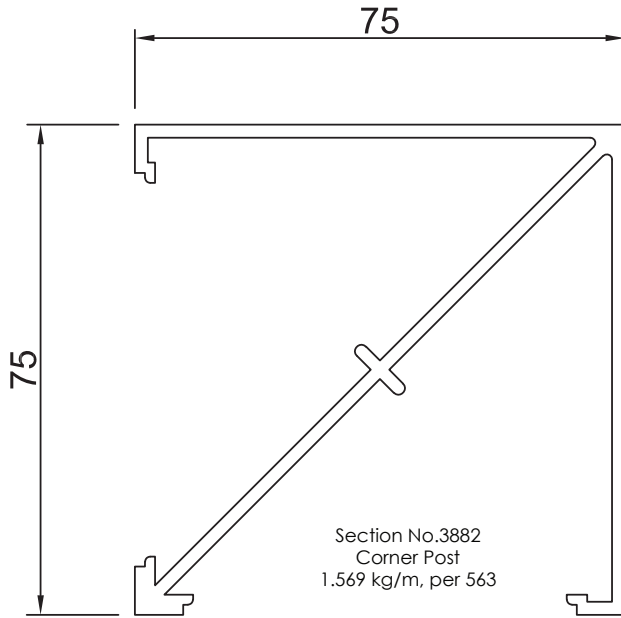


# Stocked Sections

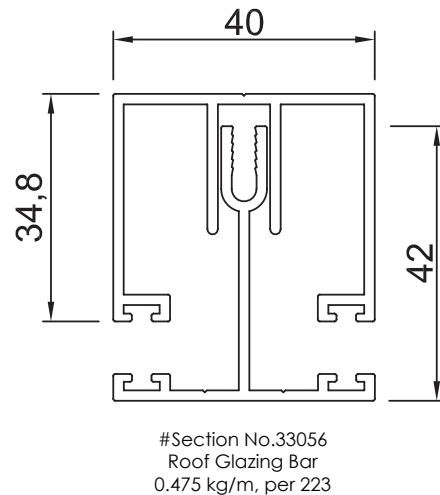
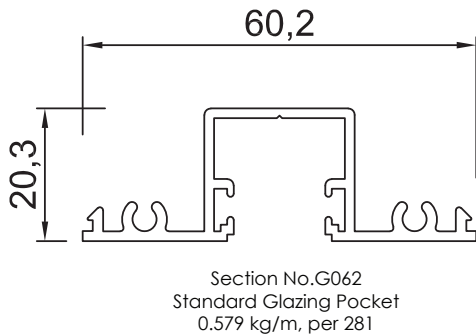
# Centre Pocket Shopfront-75mm



\*Stock in mill finish & anodised satin. Subject to stock availability at time of order.

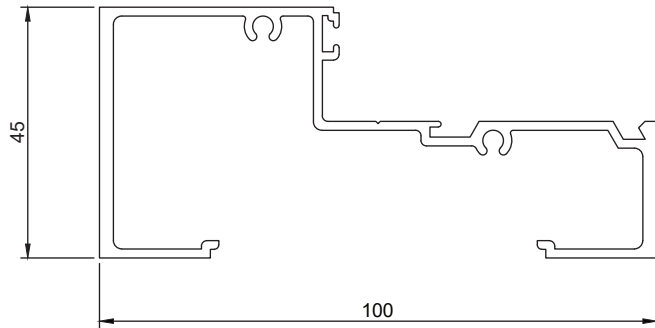


#Section No.33057  
Roof Glazing Cap  
0.731 kg/m, per 340

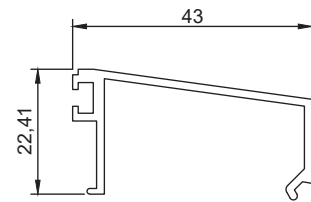


\*Stock in mill finish & anodised satin. Subject to stock availability at time of order.  
#Stock in Wellington Branch only (1-2 days delivery)

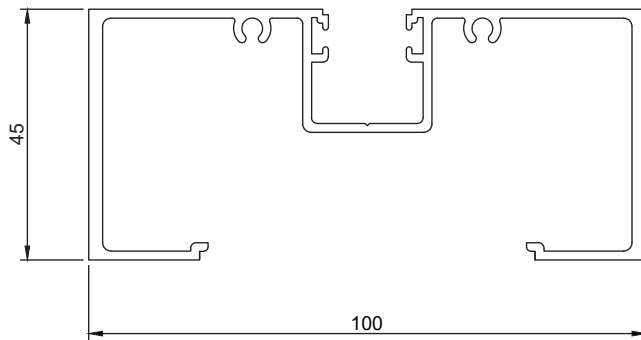
# ND Stocked Sections Centre Pocket Shopfront-100mm



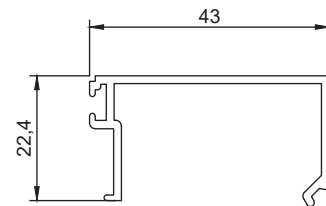
Section No. 37194  
Transom  
1.290 kg/m, per 513.70



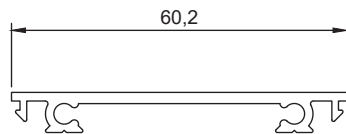
Section No. 37196  
Sloping Bead  
0.362 kg/m, per 183.79



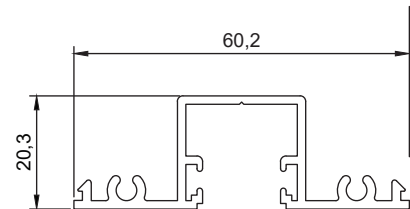
Section No. 37197  
Mullion  
1.522 kg/m, per 600.1



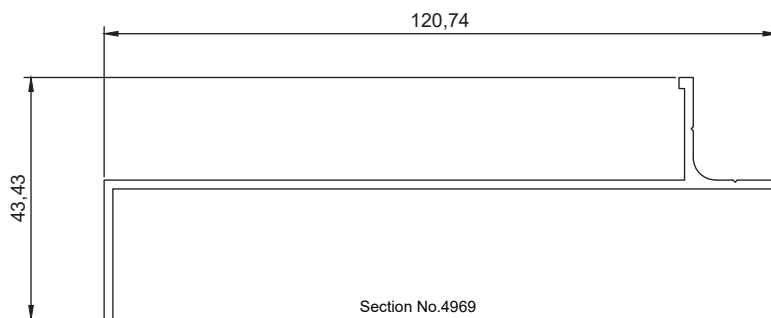
Section No. 37195  
Square Bead  
0.367 kg/m, per 195



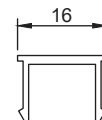
Section No. 5581A  
Plain Infill  
0.429 kg/m, per 181



Section No. G062  
Glazing Pocket  
0.579 kg/m, per 280



Section No. 4969  
Sill Flashing  
0.703 kg/m, per 329.3

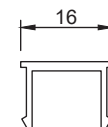
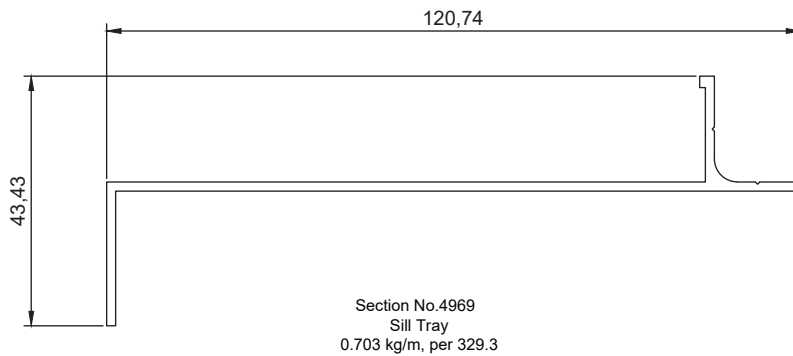
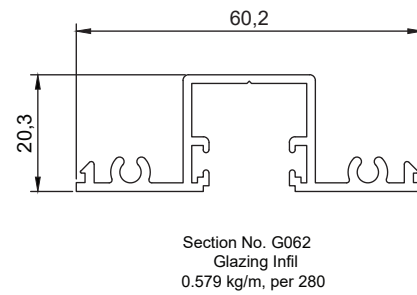
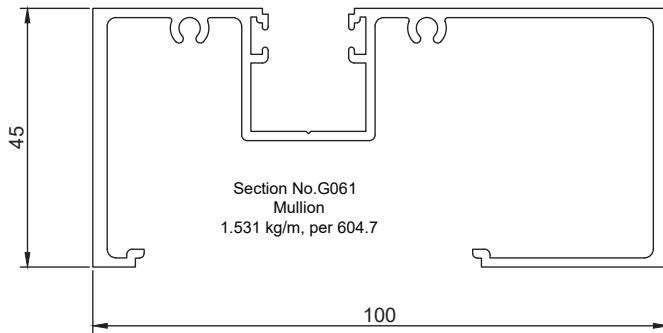
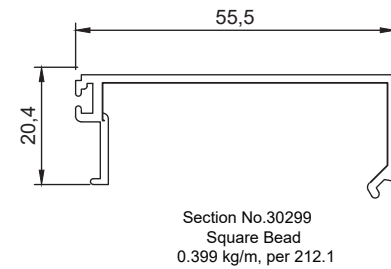
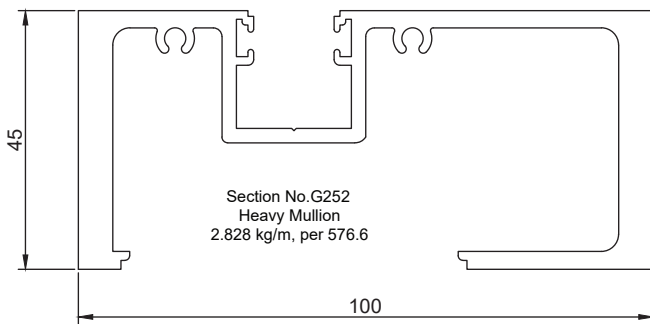
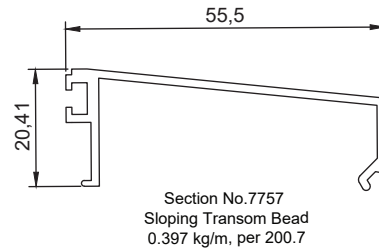
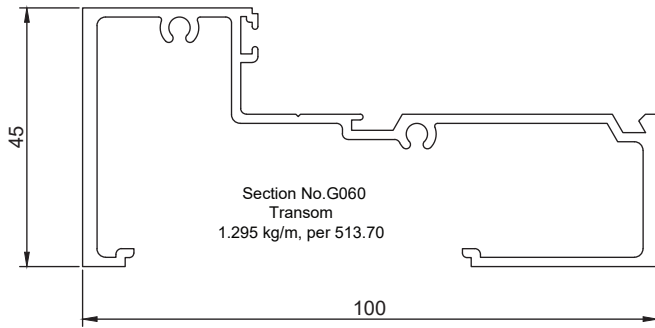


Section No. 5706  
Pocket Filler  
0.126 kg/m, per 77.2

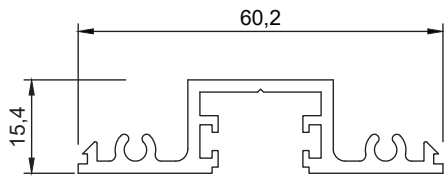
\*stock in mill & powdercoated titania. Subject to stock availability at time of order.



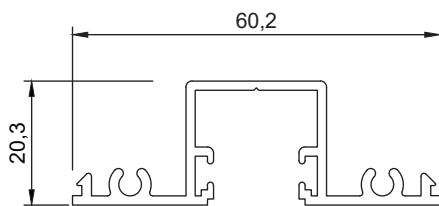
# Stocked Sections Centre Pocket Shopfront-100mm



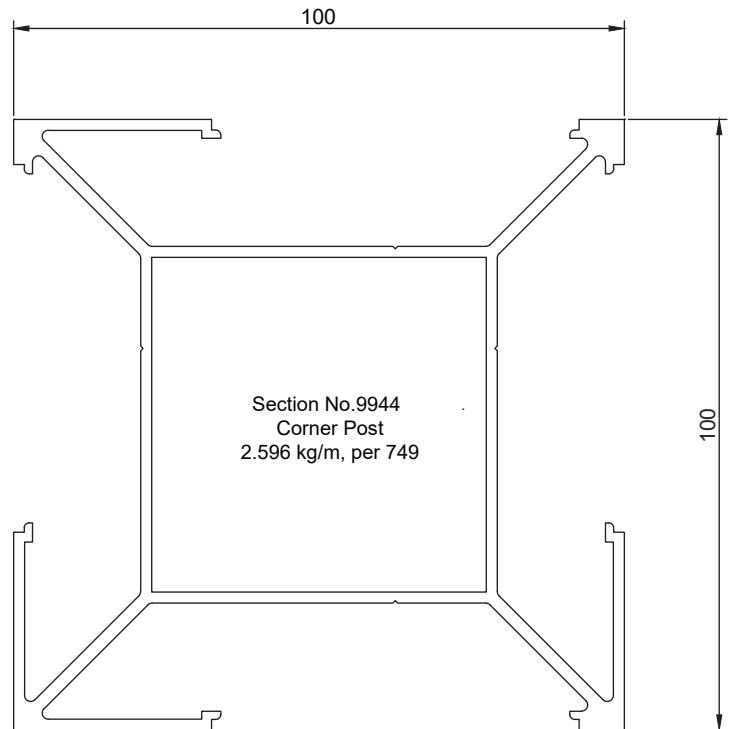
\*stock in mill & powdercoated titania, Subject to stock availability at time of order.



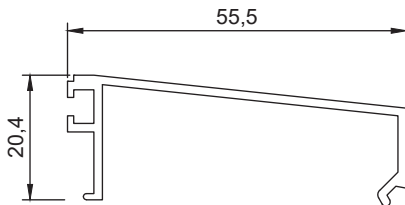
Section No.9698  
Shallow Pocket Infil  
0.650 kg/m, per 254



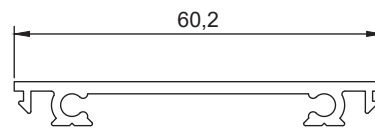
Section No.G062  
Glazing Infil  
0.579 kg/m, per 280.7



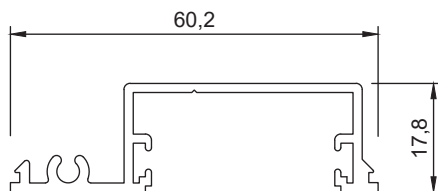
Section No.9944  
Corner Post  
2.596 kg/m, per 749



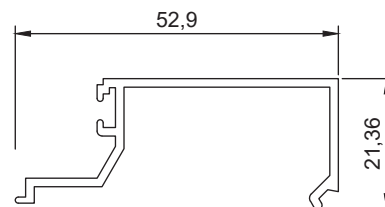
Section No.7757  
Sloping Transom Bead  
0.386 kg/m, per 201.9



Section No.5581A  
Plain Infil  
0.429 kg/m, per 181.6



Section No.30771  
Double Glazing Infil  
0.511 kg/m, per 247.5



Section No.30772  
Double Glaze Bead  
0.380 kg/m, per 202.9