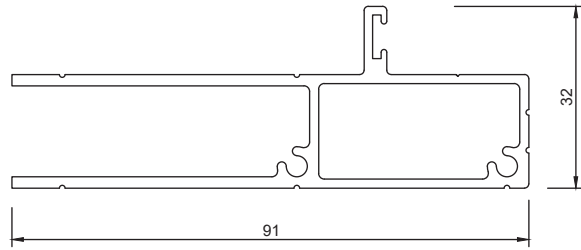
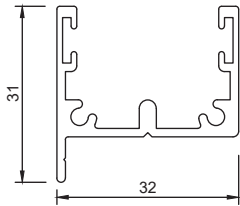


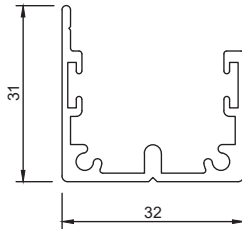
Section No.30972  
0.936 kg/m, per 296



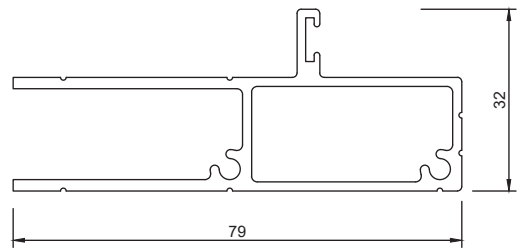
Section No.33630A  
1.200 kg/m, per 370



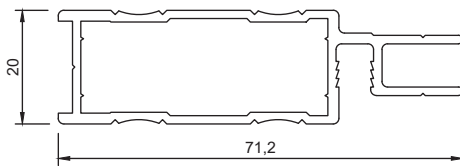
Section No.30971  
0.483 kg/m, per 218



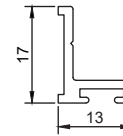
Section No.33629  
0.483 kg/m, per 218



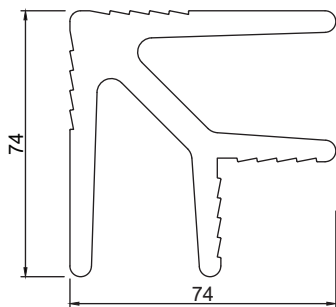
Section No.RB-238  
1.077 kg/m, per 320



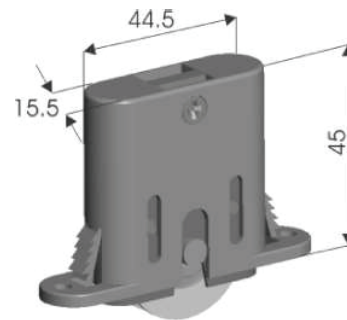
Section No.RB-268  
0.771 kg/m, per 240



Section No.6136  
0.150 kg/m, per 72



Section No.6868  
4.730 kg/m, per 489



Section No.DR234  
SL Spring Loaded Security  
Door Carriage  
Material Zinc Seal  
Standard Roller: DR 35  
Max Load: 25kg

\*Stock in mill finish, powdercoated arctic white, off white, anotec mid bronze.  
Subject to stock availability at time of order.