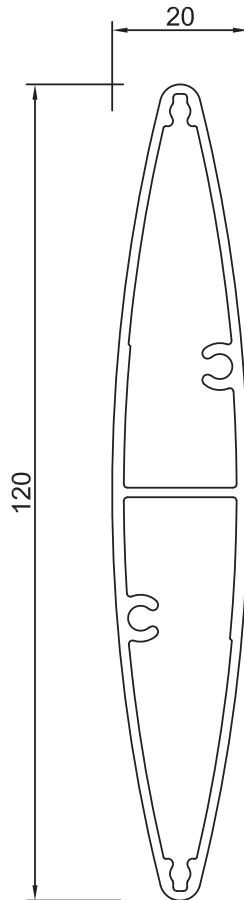
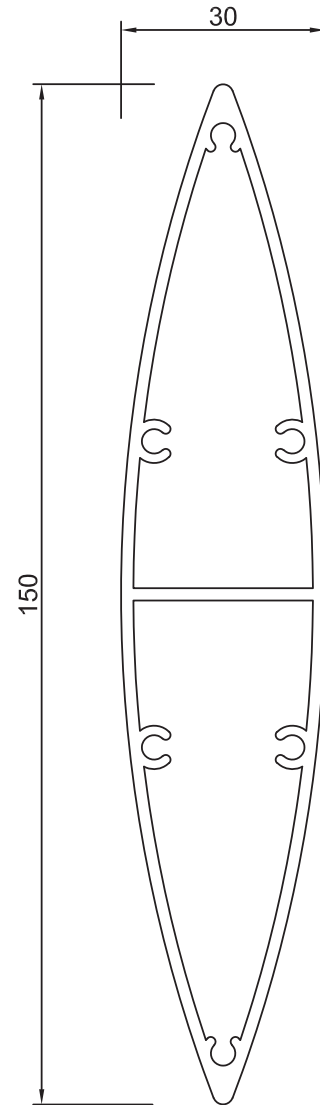


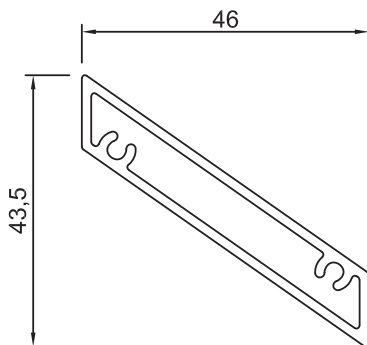
Section No. RB-182
0.992 kg/m, per 262



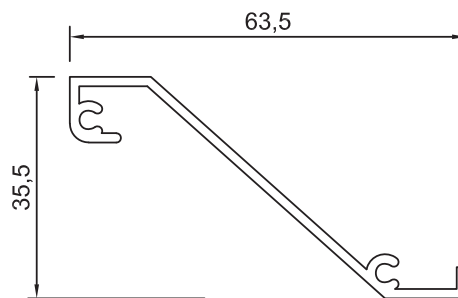
Section No. RB-440
1.180 kg/m, per 249



Section No. ZL-11133
1.795kg/m, per 310



Section No. RB-452
0.594 kg/m, per 135



Section No. G452
0.438 kg/m, per 211