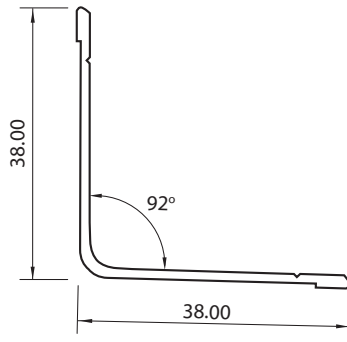
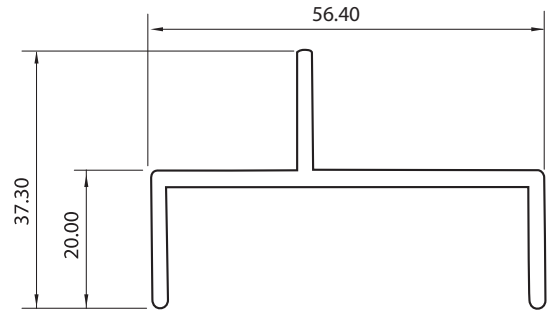


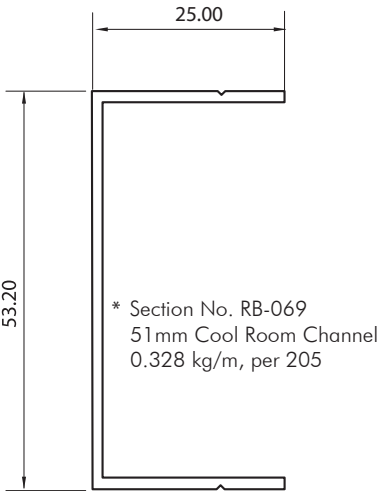
* Section No. RB042
38mm External Angle
0.311 kg/m, per 152



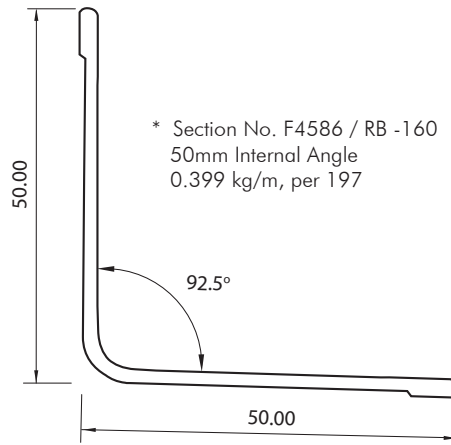
* Section No. RB-041
38mm Internal Angle
0.306 kg/m, per 149



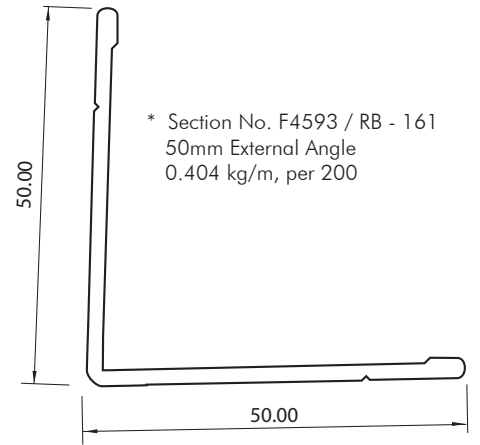
* Section No. 33970 / RB-139
0.690 kg/m, per 219.00



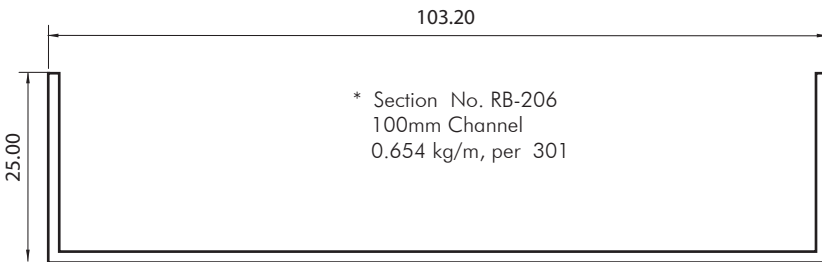
* Section No. RB-069
51mm Cool Room Channel
0.328 kg/m, per 205



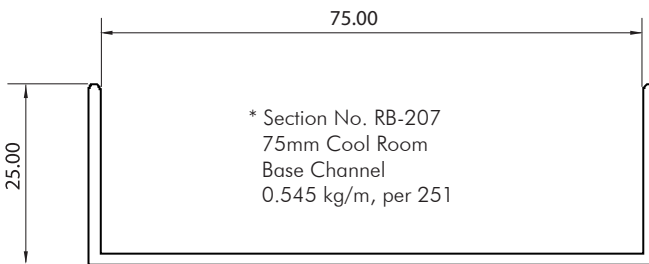
* Section No. F4586 / RB -160
50mm Internal Angle
0.399 kg/m, per 197



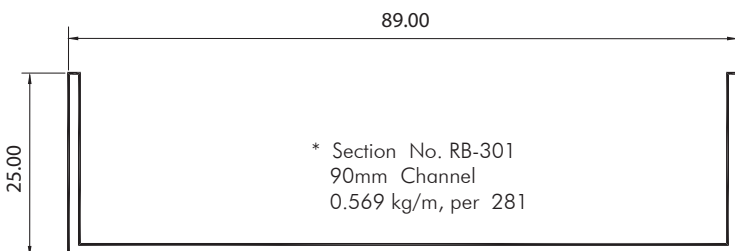
* Section No. F4593 / RB -161
50mm External Angle
0.404 kg/m, per 200



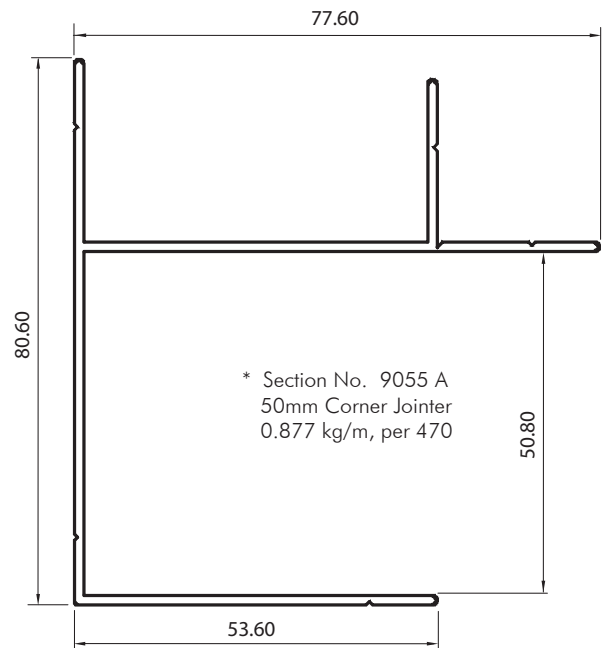
* Section No. RB-206
100mm Channel
0.654 kg/m, per 301



* Section No. RB-207
75mm Cool Room Base Channel
0.545 kg/m, per 251

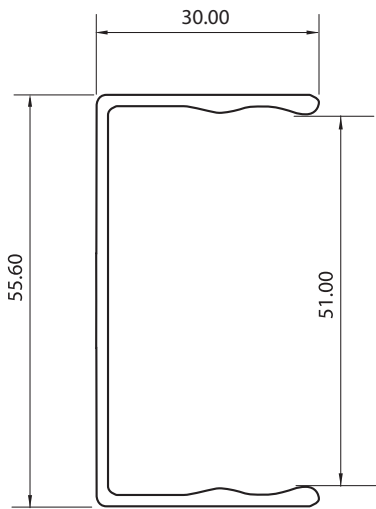


* Section No. RB-301
90mm Channel
0.569 kg/m, per 281

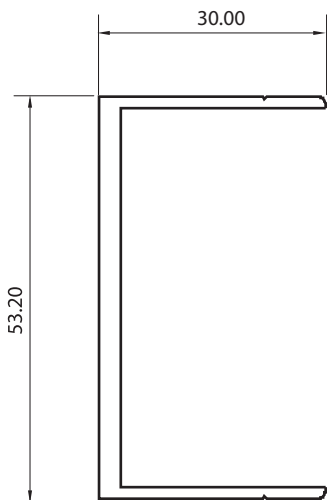


* Section No. 9055 A
50mm Corner Joints
0.877 kg/m, per 470

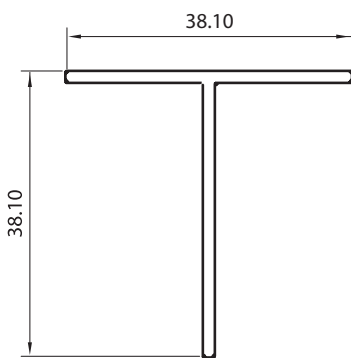
* stock in mill & powdercoated titania. subject to stock availability at time of order.



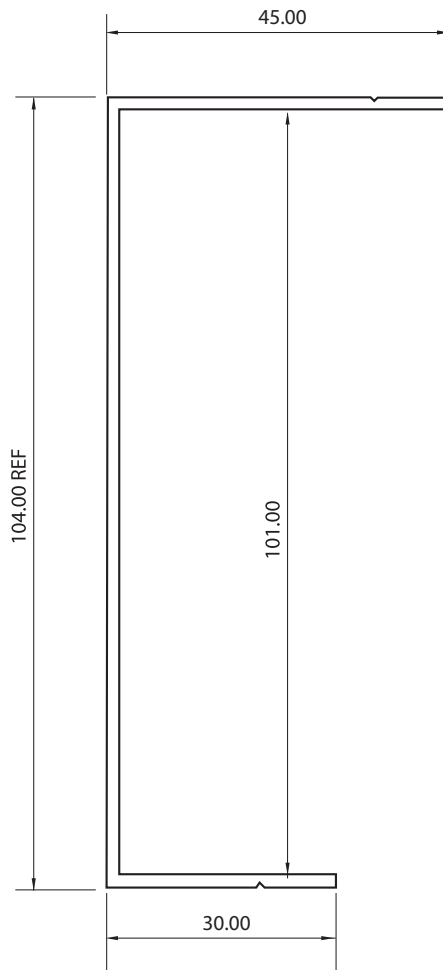
* Section No. RB043/8570, 51mm Cool Room Channel
0.504kg/m, per 227



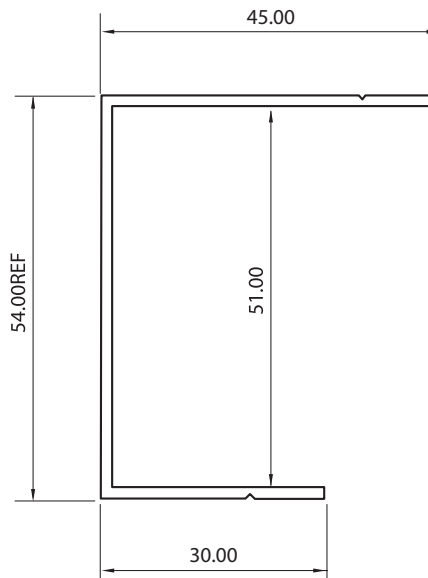
* Section No. RB472
50mm Channel (3mm Wall)
0.670 kg/m, per 220



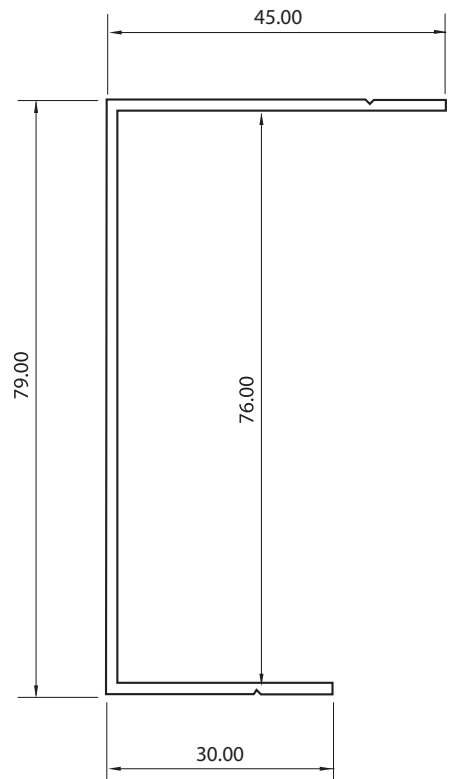
* Section No. F4709
38mm Tee Joints
0.323 kg/m, per 151



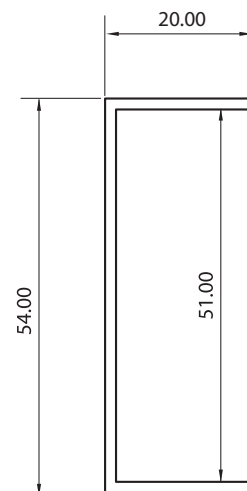
* Section No. 31346
100mm Cool Room Base Channel
0.714kg/m, per 355



* Section No. 31348
50mm Cool Room Base Channel
0.55kg/m, per 255

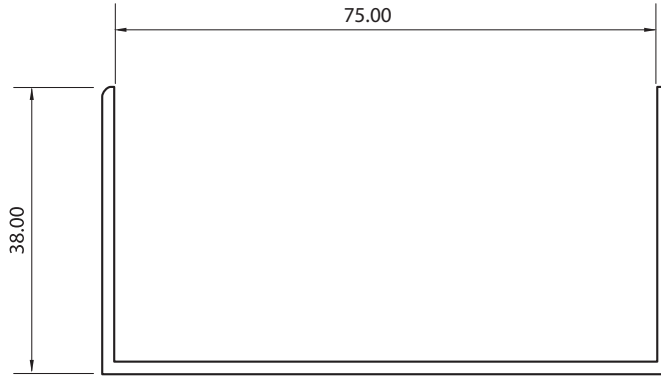


* Section No. 31347
75mm Cool Room Base Channel
0.614kg/m, per 304

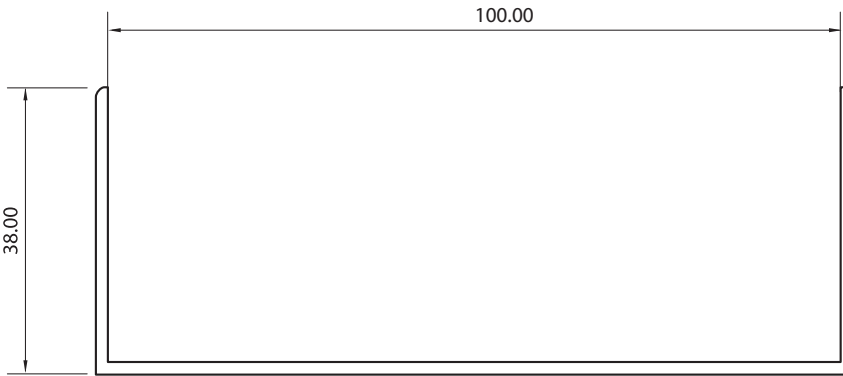


Section No. 6330
51mm Cool Room Channel
0.369 kg/m, per 185

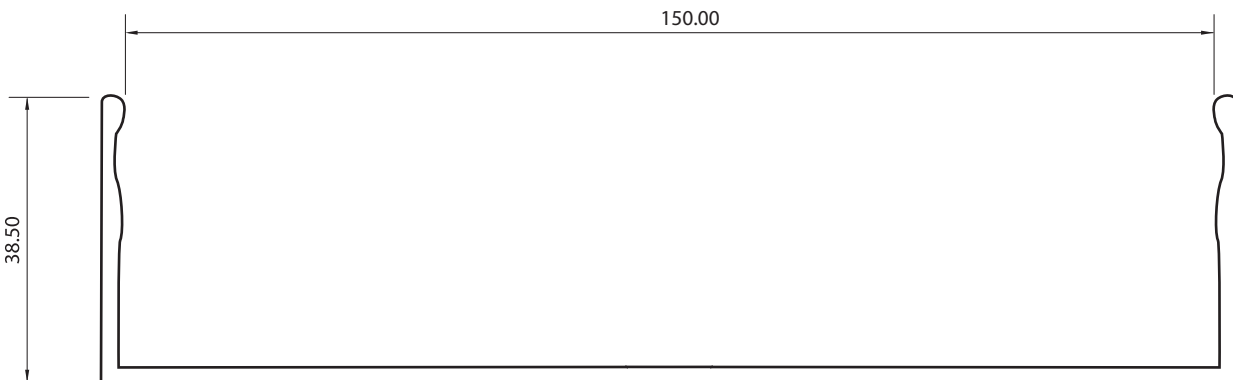
* stock in mill & powdercoated titania. subject to stock availability at time of order.



* Section No. K747
75mm Cool Room
Base Channel
0.610 kg/m, per 305

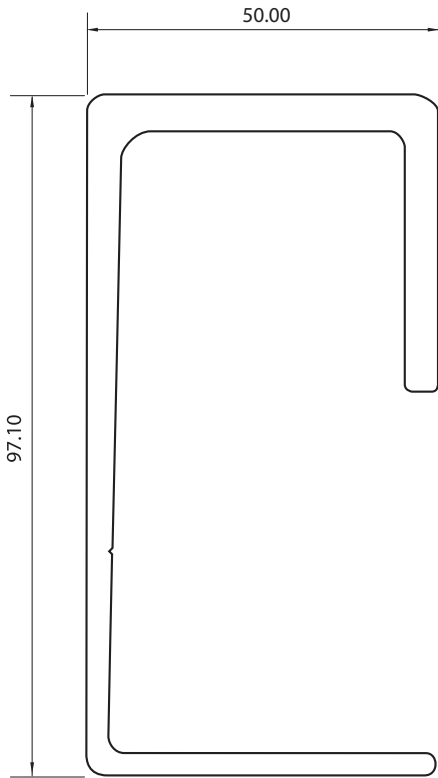


* Section No. K748
100mm Cool Room
Base Channel
0.712 kg/m, per 355

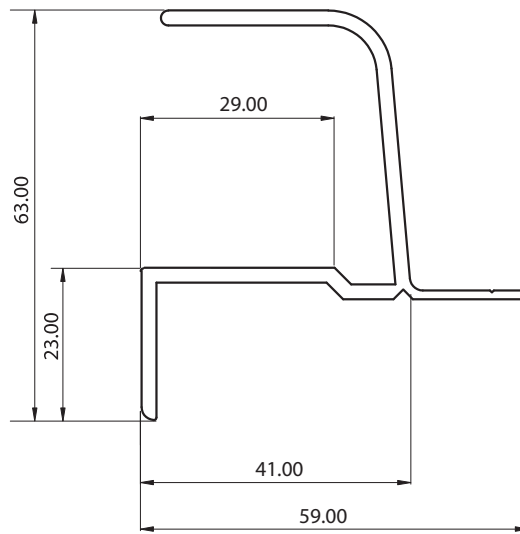


* Section No. E210
150mm Cool Room
Base Channel
1.245 kg/m, per 463

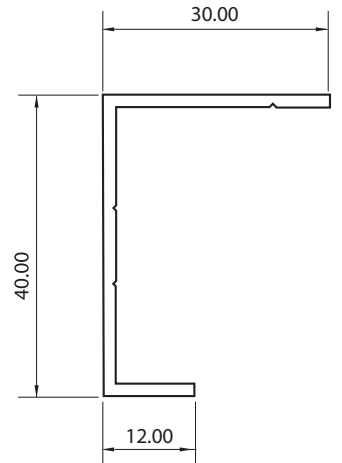
* stock in mill & powdercoated titania. subject to stock availability at time of order.



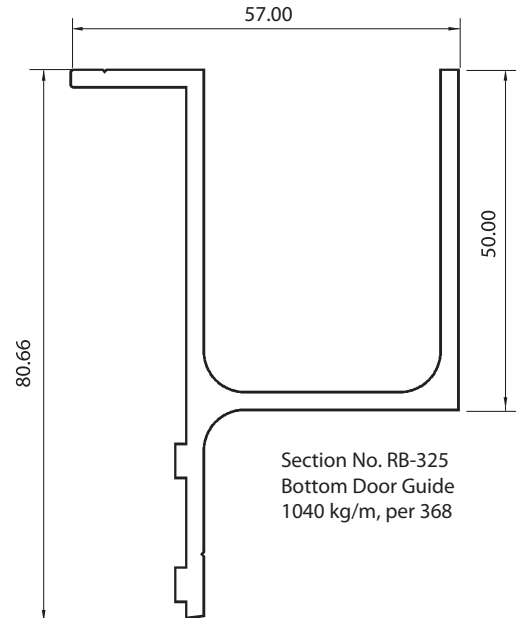
Section No. 33144 / RB342
Cool Room Sliding Door Track
2.552kg/m, per 451



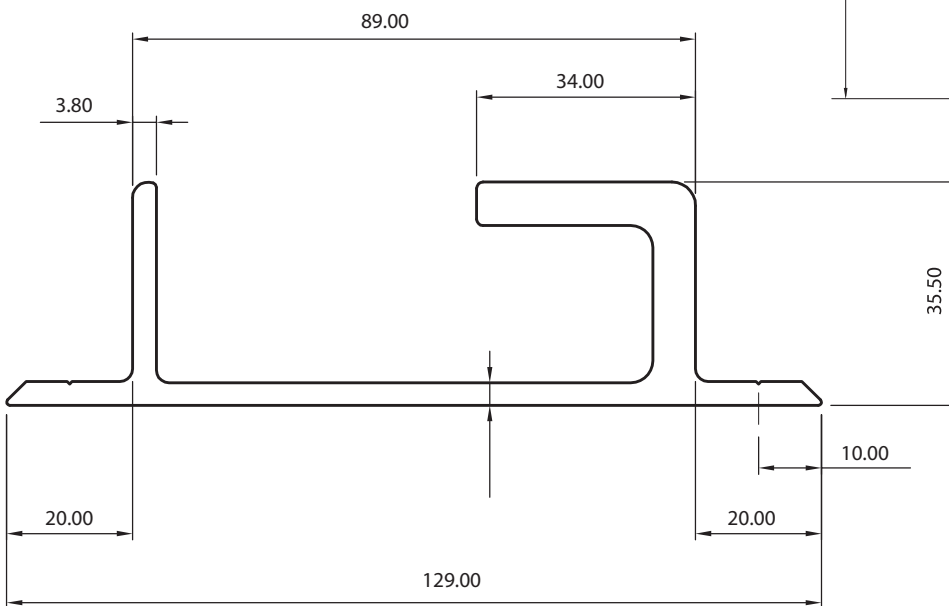
Section No. 612515
Toe Rail
0.906kg/m, per 310



Section No. 31365 CHC
Odd-Leg Channel
0.340kg/m, per 162

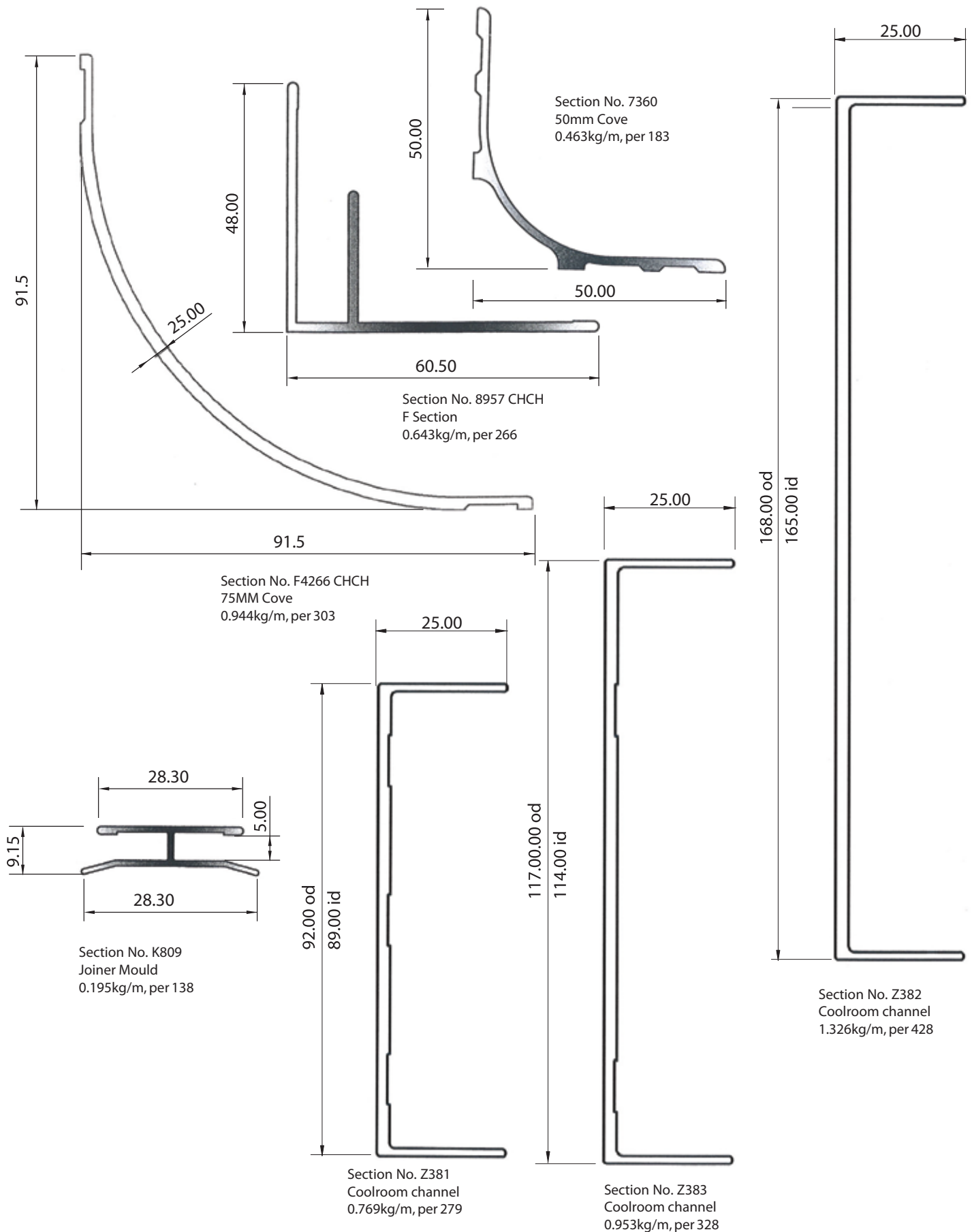


Section No. RB-325
Bottom Door Guide
1040 kg/m, per 368

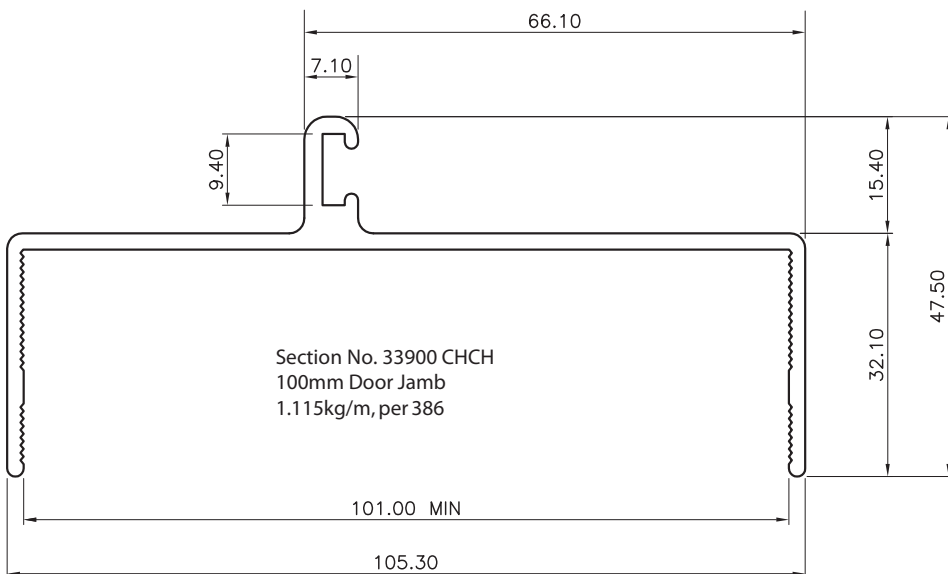
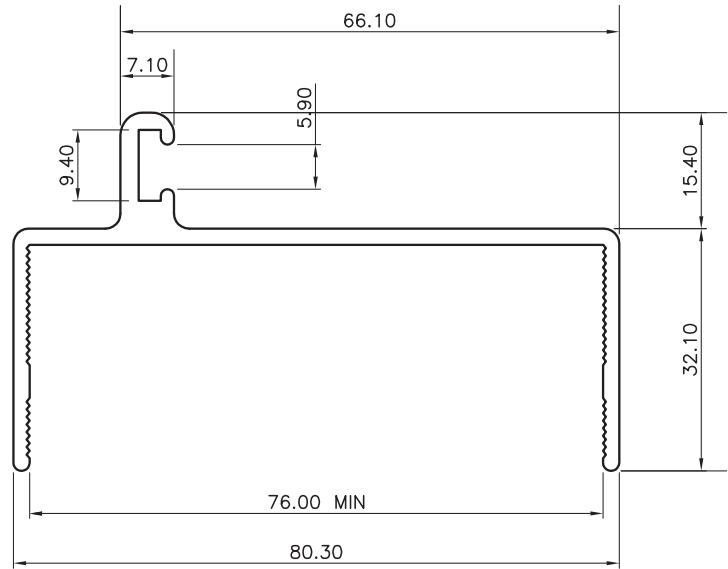
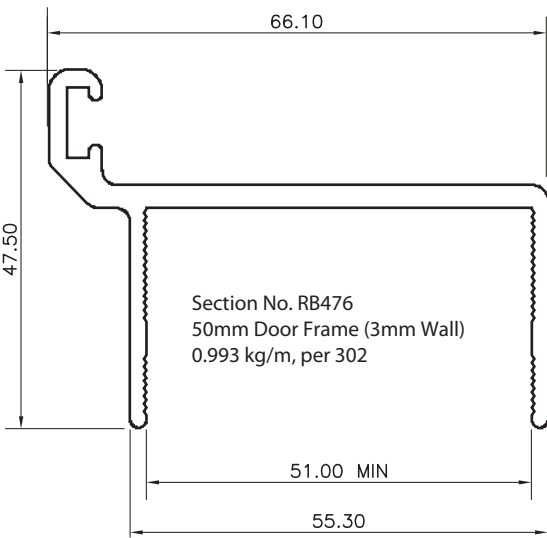
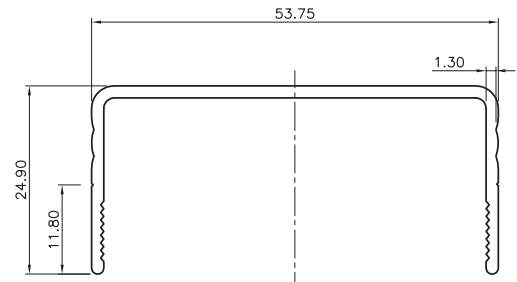
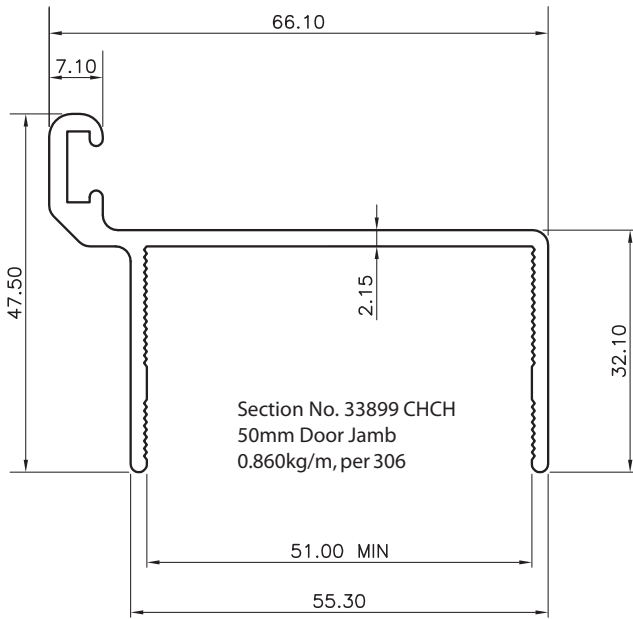


Section No. 8543 CHCH / RB475
Door Runner
2.706kg/m, per 437

Stock in Christchurch branches only (3 working days delivery).
* stock in mill & powdercoated titania. subject to stock availability at time of order.

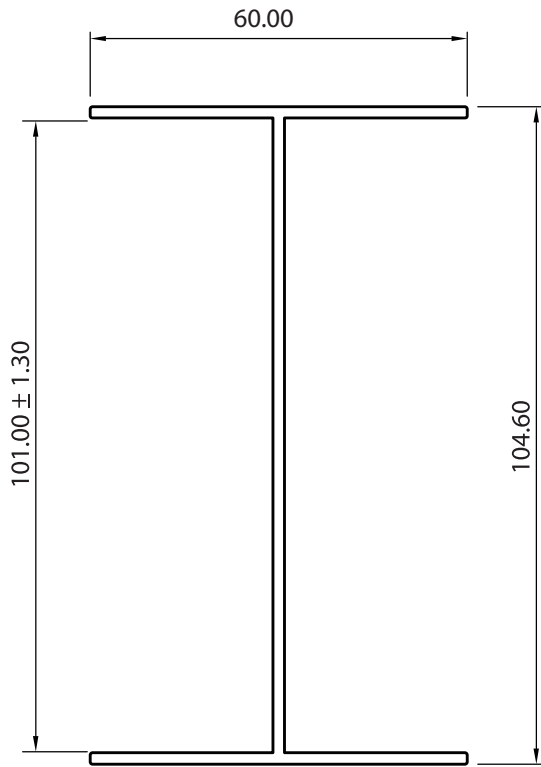


* stock in mill & powdercoated titania. subject to stock availability at time of order.

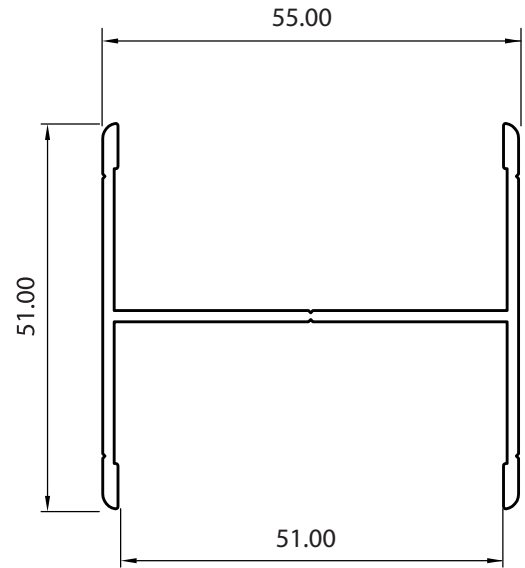


Section No.40374
Bulb seal

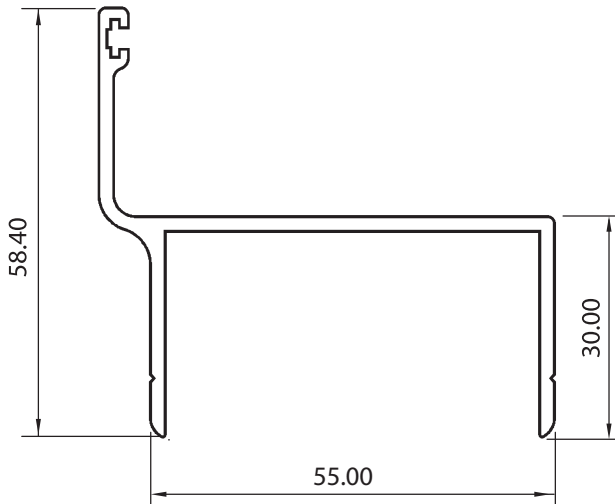
* stock in mill & powdercoated titania. subject to stock availability at time of order.



Section No. G902 / RB-343
100mm I Beam
1.078kg/m, per 445



Section No. 31753 / RB-344
50mm I Beam
0.648kg/m, per 312



Section No. RB-141 / G307
External Door Jamb (Long Leg)
0.805kg/m, per 302



Section No.429
Bulb seal for
Section RB-141