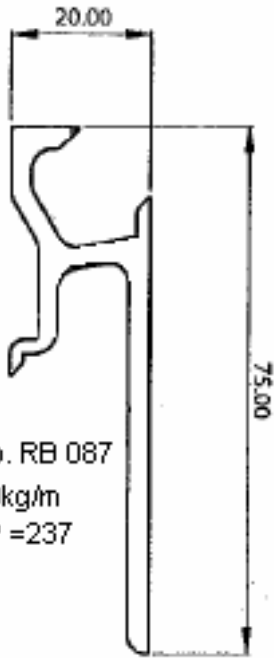
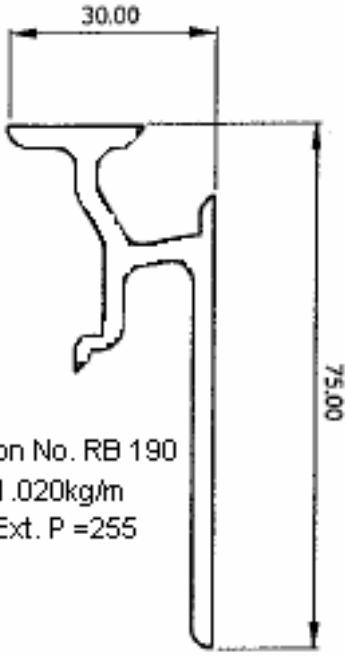


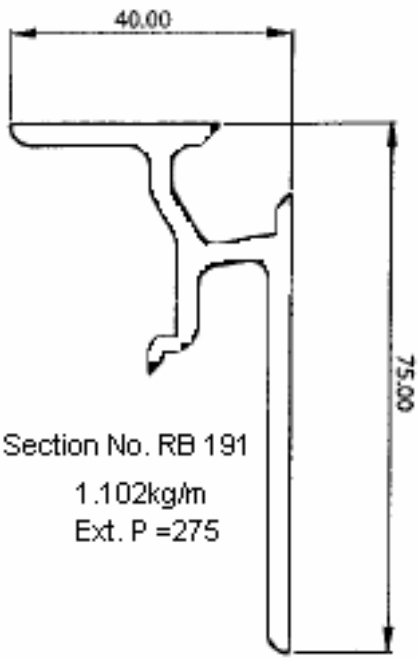
R & B SUPPORT BAR (Heavy Duty)



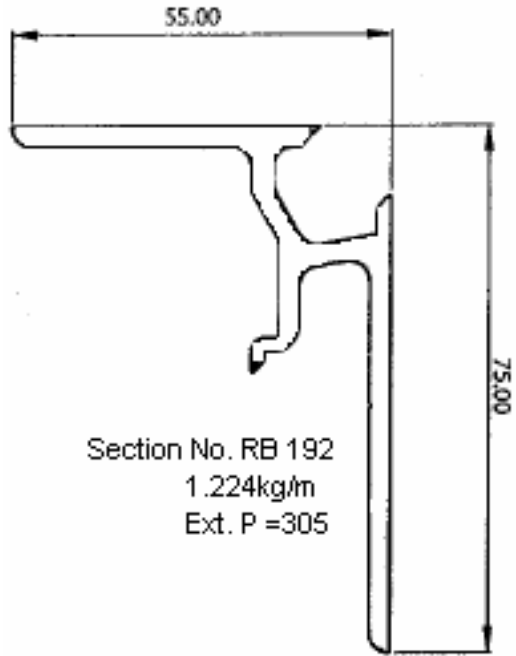
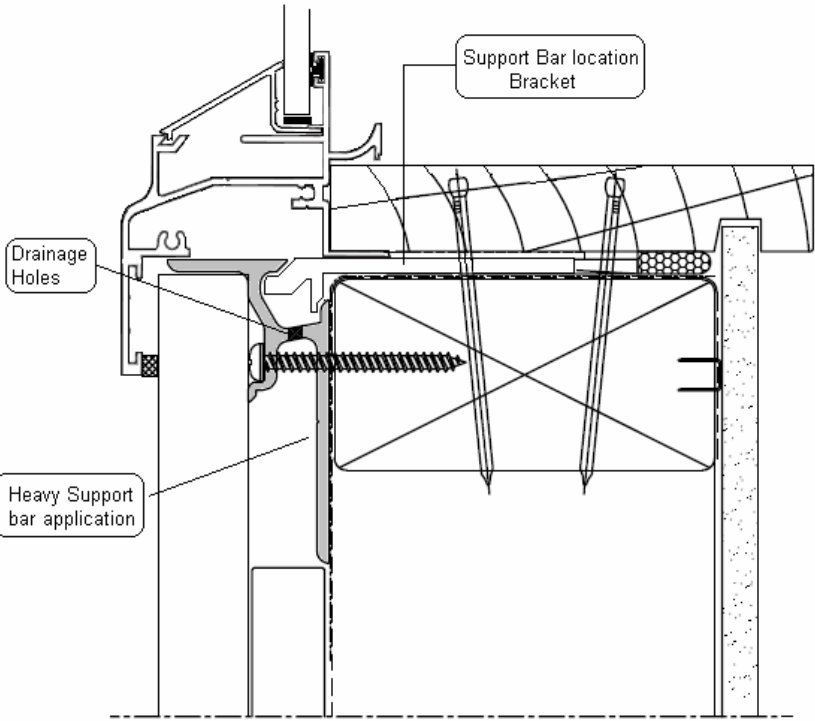
Section No. RB 087
0.939kg/m
Ext. P =237



Section No. RB 190
1.020kg/m
Ext. P =255



Section No. RB 191
1.102kg/m
Ext. P =275



Section No. RB 192
1.224kg/m
Ext. P =305

R & B SUPPORT BAR (Light)

