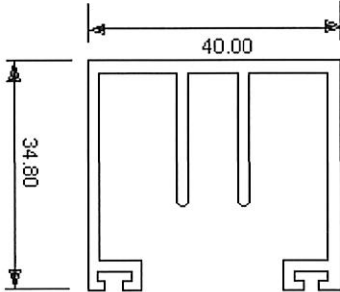
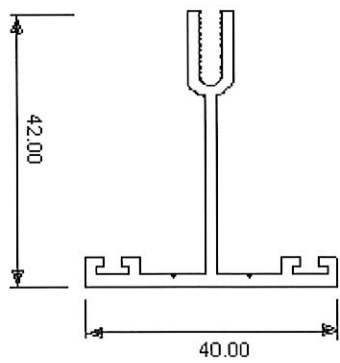
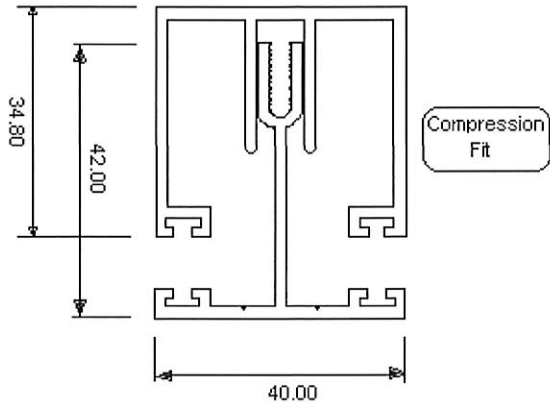


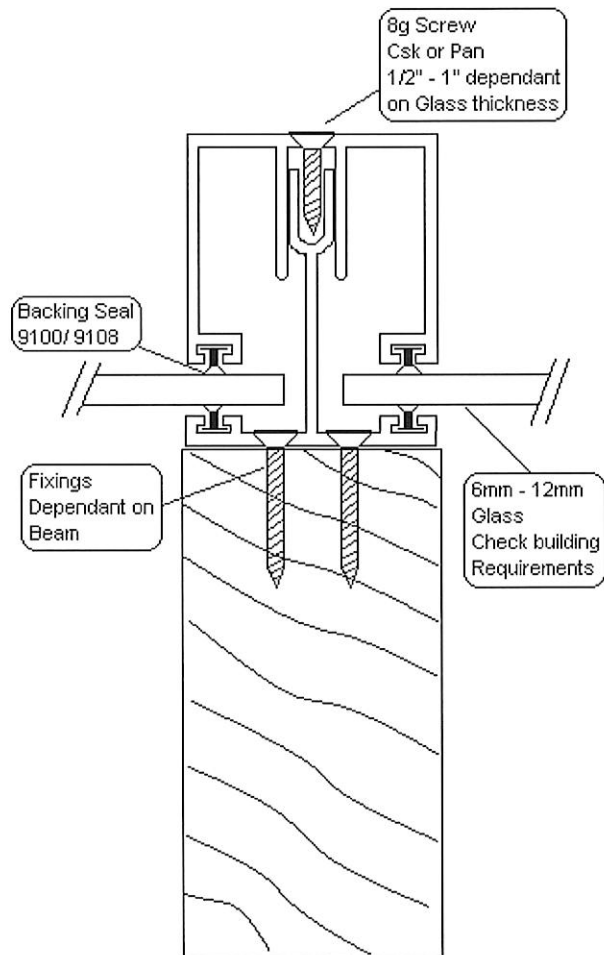
R & B ROOFBAR SYSTEM



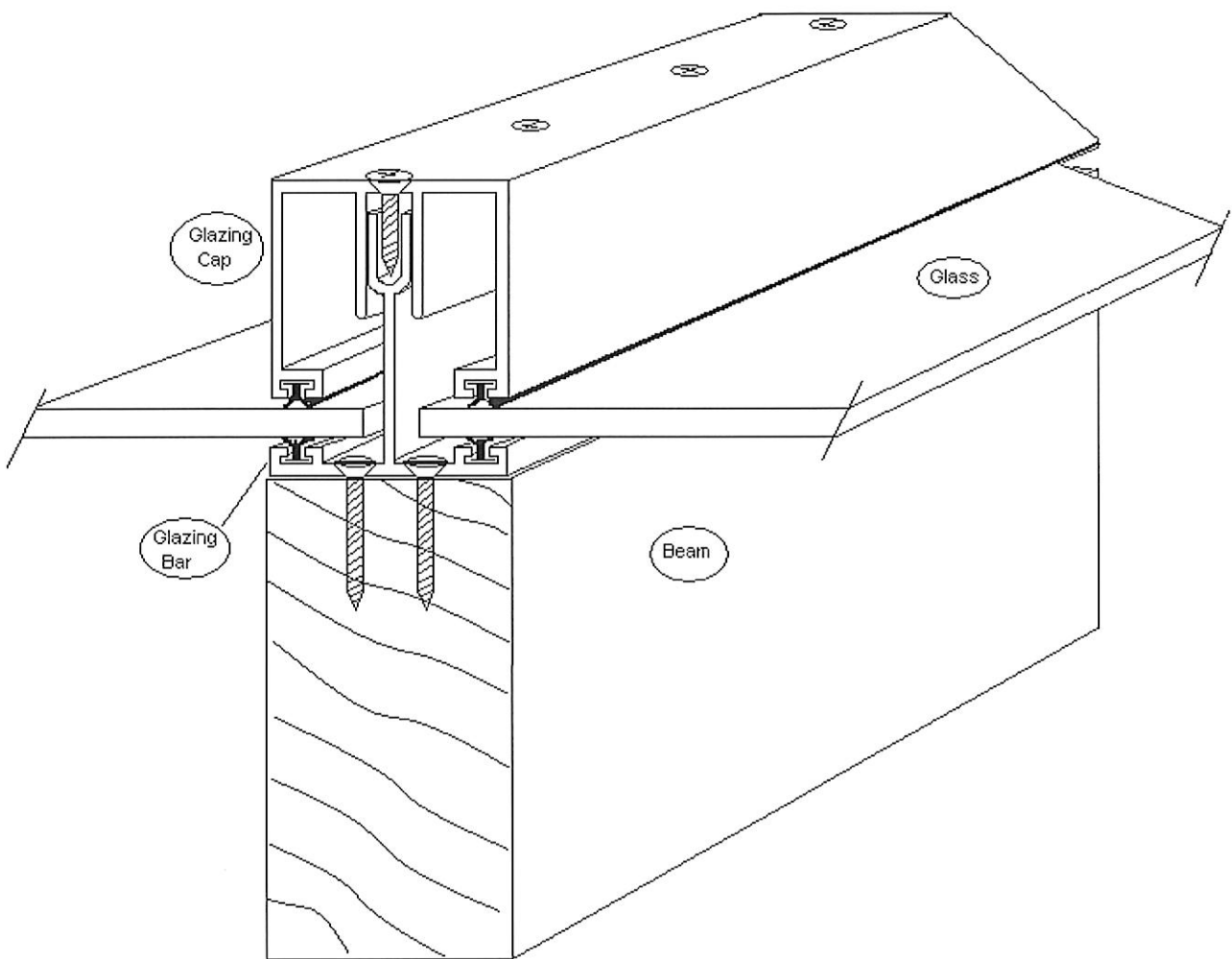
Section No, 33057 WEL
Roof Glazing Cap
0.731kg/m, per 340

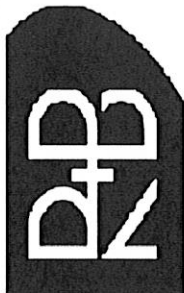


Section No, 33056 WEL
Roof Glazing Bar
0.475kg/m, per 223



R & B ROOFBAR SYSTEM



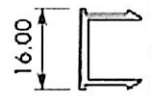


731 Great South Road,
Penrose, Auckland.

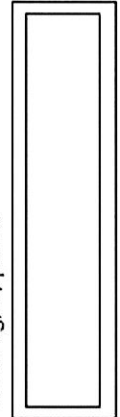
Simple Balustrade Design

Important Note

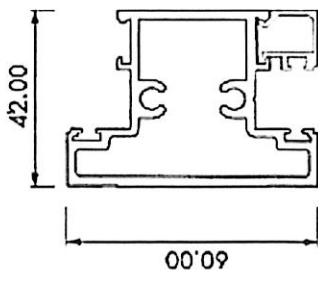
For low deck areas only.
Not for use in situations
requiring a building
consent. ie, for fall heights
of 1 metre or greater



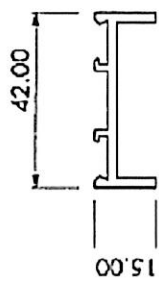
Section No. 5706 Peckel infill
0.122 kg/m, per 75



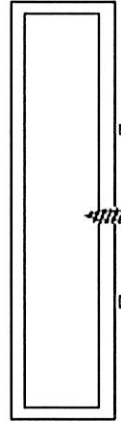
Sect No. 6669 100 x 25 x 2.5



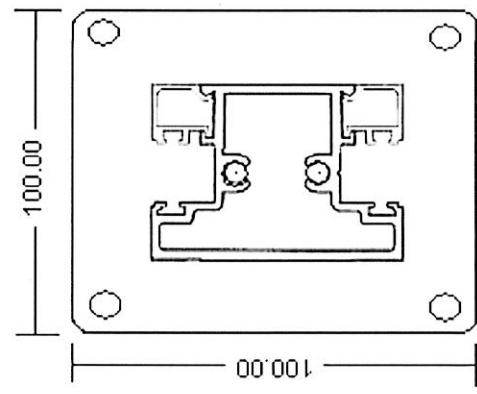
- Section No. G251
Narrow Vision Rail
1.4 kg/m, per 259



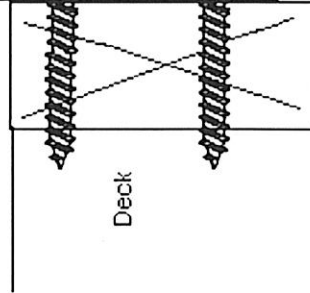
Section No. 5620
Infill Vision Rail
0.484 kg/m, per 157



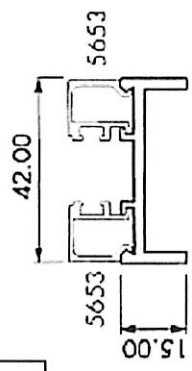
Top Rail installation



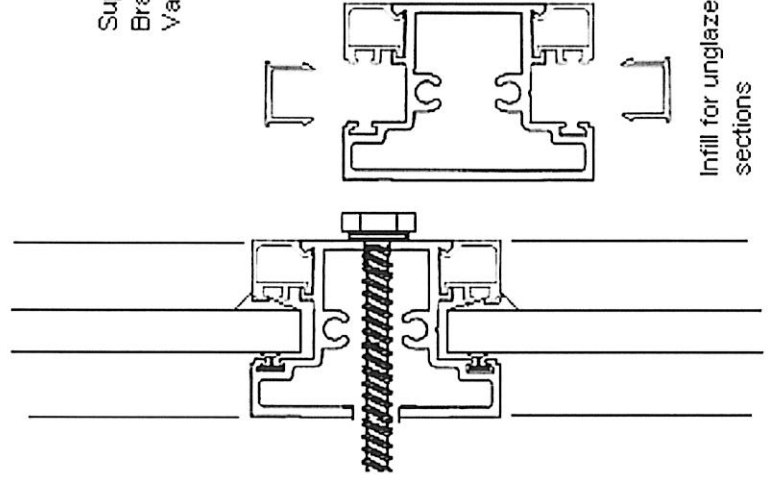
Alternative Foot made from
100 x 5mm Flat bar.



Deck



Section No. 5620 Infill Vision Rail
0.484 kg/m, per 157
• Section No. 5653 Square Bead
0.166 kg/m, per 98



Support
Brackets
Variations

Sketch not to Scale

Customer	
Drawn	DM
Date	23/09/11