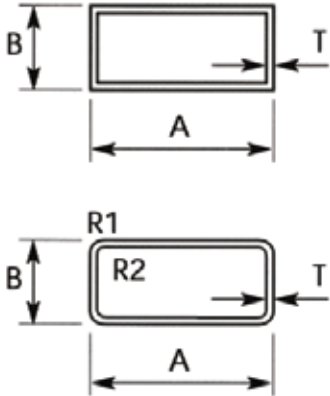




Mill Quantity

(RHS) Rectangular Hollow Sections

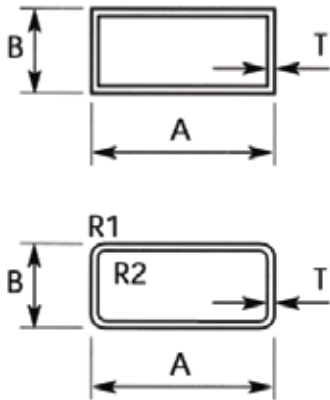


Section No	A	B	T	R1	R2	Mass kg/m	OUTSIDE PERM	OUTSIDE FACTOR
34923	25	20	1.4	2.4	1	0.309	85.88	527
30208	34.93	12.7	1.57	3.75	2.18	0.357	88.82	470
34872	35	19	3	3	3	0.78	102.85	233
K496	37.4	14.4	1.2	3	2	0.308	98.2	613
G557	38	19	1.2			0.355	114	645
N709	38	25	1.5	3	1.5	0.472	120.8	492
9406*	38	25	1.5	3	1.5	0.47	120.8	494
X510	38	25	2	3	1.5	0.622	120.85	367
J782	38.1	17.45	3.18			0.848	111.1	232
X500	38.1	25.4	1.6	3.1	1.5	0.506	121.68	461
7057	38.2	25.5	2.5			0.798	127.4	291
30624	40	15	3	3	0.5	0.776	104.85	245
6621	40	16	2.5			0.698	112	296
30486	40	20	1.6			0.493	120	491
30485	40	20	3			0.878	120	246
35159	40	20	3			0.878	120	246
K582	40	25	2			0.661	130	369
35493	40	25	2	3	1.5	0.646	124.85	366
9785	40	25	2.5			0.81	130	296
35158	40	25	2.5	3	1	0.794	124.85	293
35309	40	25	3	3	3	0.959	124.85	235
J610*	42.6	29.5	1.8	3	3	0.668	139.1	395
X394	50	25	1.3			0.51	150	568
E905	50	25	1.6			0.623	150	461
5916*	50	25	2			0.767	150	295
34406	50	25	2	3	1	0.751	144.85	369
6634	50	25	2.5			0.945	150	296
9433	50	25	3			1.118	150	247
X544	50	25	3	3		1.101	144.85	246
30497	50	40	2			0.932	180	369
G705	50	40	3			1.366	180	246
34765	50.8	25.4	3.18			1.204	152.4	232
0914	50.8	38.1	3.18			1.417	177.8	233
Z913	60	30	1.4	1	0.3	0.659	178.28	526
6815	60	35	1.8	2.5		0.874	185	413
J090	60	40	3			1.528	200	246
1790	63.5	50.8	3.18			1.853	228.6	233
31820	63.5	50.8	3.18	3.18		1.884	228.6	226
33669	65	16	1.2	1.5	1	0.508	159.42	610
50152	65	35	3			1.528	200	246
7652	70	40	3			1.691	220	246
8042	75	25	1.6			0.836	200	462



Mill Quantity

(RHS) Rectangular Hollow Sections



Section No	A	B	T	R1	R2	Mass kg/m	OUTSIDE PERM	OUTSIDE FACTOR
30837	75	40	2			1.203	229.31	368
E709	75	50	2.5			1.626	250	295
X861	75	50	4.75	7	4	2.897	237.98	153
K011	76	25	2.4			1.252	202	307
J005	76.2	38.1	3.18			1.86	228.6	232
1023	76.2	38.1	6.35			3.484	228.6	116
3908	76.2	44.45	2.03	0.38	0.79	1.286	241.3	362
G432	76.2	50.8	3.18			2.079	254	232
33126	76.5	54	3			2.024	261	246
33386	80	25	2.4			1.303	210	308
Z792	80	40	2			1.257	240	369
K910	80	40	3			1.854	240	245
6490	80	50	3			2.008	260	247
30240	80	50	3	5	2	1.967	251.42	246
7377	85	20	2			1.088	208.3	370
9822	100	16	2			1.21	232	370
31300	100	25	1.6			1.056	250	461
33022	100	25	2	2	0.5	1.305	246.57	367
6669	100	25	2.5			1.626	250	296
34296	100	40	3			2.179	280	246
7955	100	45	3			2.252	290	247
N297	100	50	1.6			1.273	300	461
J845	100	50	2			1.583	300	369
9985	100	50	3			2.341	300	246
30752	100	50	3	4	1	2.307	293.13	246
Z483	100	50	3.5	6	2.5	2.644	289.7	211
34048	100	50	4			3.079	300	185
K102	100	50	6	8	2	4.348	286.3	123
G435	100	50	6.5	0.2		4.827	300	113
34296	100	50	3			2.179	280	108
33713	100	75				2.748	350	246
2515	101.6	25.4	2.36	0.79		1.56	254	312
E053	101.6	76.2	2.29	5.47	3.18	2.104	346.21	323
G589	125	40	3			2.585	330	246
33272	125	50	6	6.35	6.35	5.301	339.1	119
50153	127	51	3			2.797	356	246
J863	150	50	3			3.154	400	246
Z422	150	50	4	7.5	3.5	4.06	387.12	185
30388	150	75	5	5	2.5	5.783	441.42	146
N064	152.4	38.1	3.18	1	1	3.174	379.3	231
Z335	200	50	3			3.96	500	246
35513	250	50	3	0.4		4.78	599.31	246