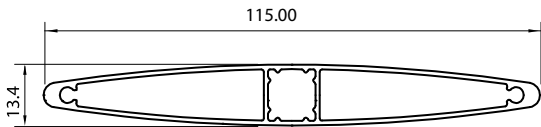


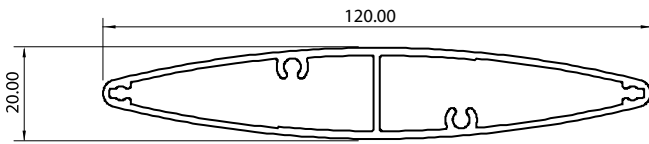
Section No. G452
Louvre
0.436kg/m, per 211

(Fits surround channel die 2114, 44.5x25x3mm)



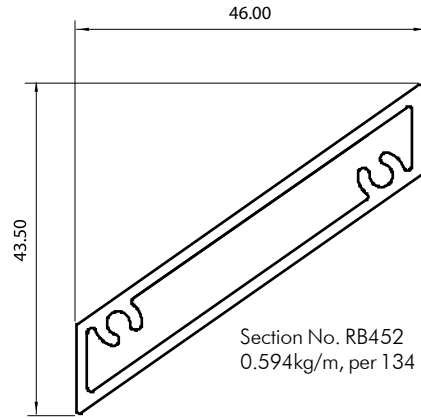
Section No. ZL10515
0.785kg/m, per 237

Note: may be variation in screw pipe size

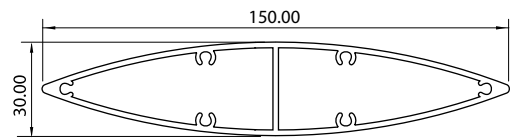


Section No. RB440
1.180kg/m, per 249

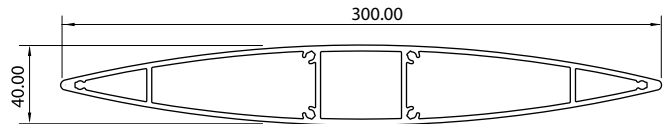
Note: Other sizes are made to order



Section No. RB452
0.594kg/m, per 134



Section No. ZL11133
1.795kg/m, per 310



Section No. ZL9344
5.086kg/m, per 611